

Dedicated Circuit for 3-channel LED Constant Current Drive TM1914

Overview

TM1914 is a dedicated circuit for single-wire 3-channel LED constant current drive. Its input can be achieved through the mutual switching of the two-channel digital interfaces (DIN, FDIN) which are cascaded with DO port. The external controller only needs a single wire to control the chip which integrates with MCU single-wire two-channel digital interface, data latch, LED constant current drive, PWM luminance control and other circuits. VDD pin integrates with 5V voltage-regulator tube, with few peripheral devices. The product applies to guardrail tube, point light source and other LED decoration products. It boasts excellent performance and reliable quality.

Features

- Low power consumption CMOS workmanship
- OUT output port withstand voltage 24V
- VDD has built-in 5V voltage-regulator tube, supporting 6-4V voltage after connected in series with resistors
- 18mA fixed constant current output
- PWM luminance control circuit, 256-level luminance control
- Accurate current output value
Maximum error (between channels): $\pm 3\%$
Maximum error (between chips): $\pm 5\%$
- Single-wire serial cascaded interface
- Single-wire two-channel serial concatenated interface: The chip data interface can configure DIN or FDIN pin input through the command. In normal mode, the input interfaces switch with each other. In DIN operating mode, DIN pin inputs data. In FDIN operating mode, FDIN pin inputs data. D01 and D02 pins forward cascaded data. The signal does not affect the normal operation of other chips because of the abnormality of a certain chip.
- Oscillation mode: built-in RC oscillation, clock synchronization according to the signals on the data line, automatically regenerate the subsequent data after receiving the data of the current unit and send it to the next level through the data output end, the signals do not distort or attenuate with the farther distance of cascade connection
- Built-in power-on reset circuit, all registers are zero-initialized after power-on reset
- Data transmission rate 800KHz
- Packaging mode: MSOP10, SSOP10, ESOP8

Block diagram for internal structure

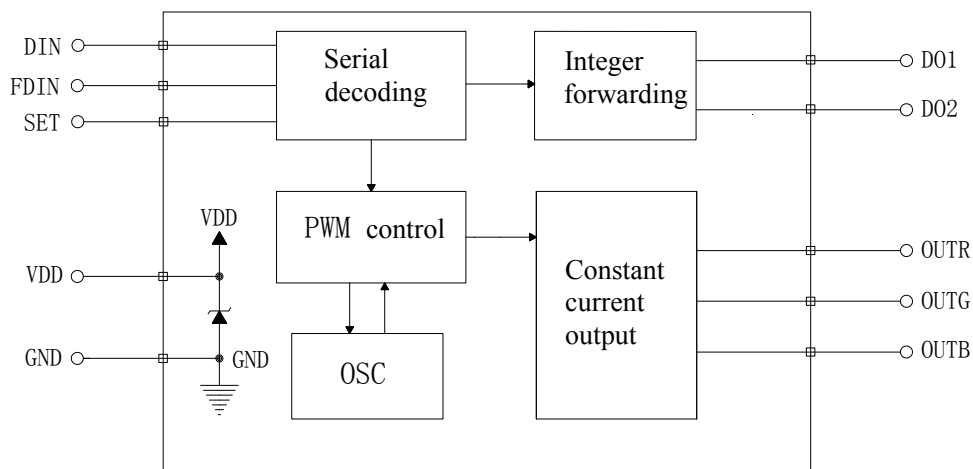


Figure 1

Dedicated Circuit for 3-channel LED Constant Current Drive TM1914

Configuration of MSOP10 and SSOP10 pins

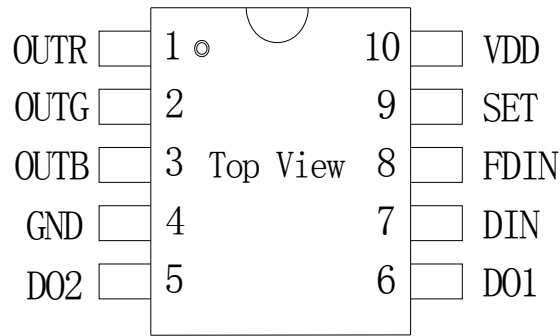


Figure 2

Pin function

Pin name	Pin number	I/O	Function description
DIN	7	I	Data input
FDIN	8	I	Backup data input
DO1	6	O	Data output 1
DO2	5	O	Data output 2
SET	9	I	Test pin, must connect GND in normal application
OUTR	1	O	N tube open-drain, constant-current output
OUTG	2	O	N tube open-drain, constant-current output
OUTB	3	O	N tube open-drain, constant-current output
VDD	10	--	Positive pole of power supply
GND	4	--	Power ground

ESOP8 pin figure

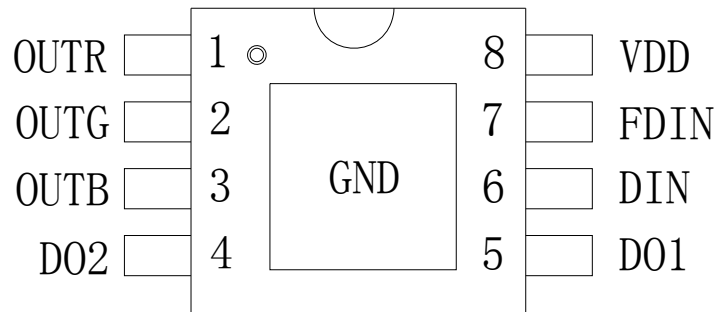


Figure 3

Pin function

Pin name	Pin number	I/O	Function description
DIN	6	I	Data input
FDIN	7	I	Backup data input
DO1	5	O	Data output 1
DO2	4	O	Data output 2
OUTR	1	O	N tube open-drain, constant-current output
OUTG	2	O	N tube open-drain, constant-current output
OUTB	3	O	N tube open-drain, constant-current output
VDD	8	--	Positive pole of power supply

Dedicated Circuit for 3-channel LED Constant Current Drive TM1914

Input/output equivalent circuit

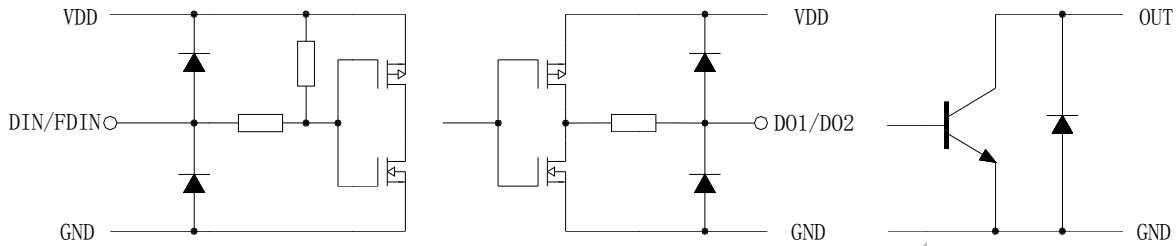


Figure 4



Integrated circuit is an electrostatic sensitive device which tends to generate a lot of static electricity when used in a dry season or dry environment. Electrostatic discharge may damage integrated circuit. Titan Micro Electronics suggests taking all appropriate preventive measures for integrated circuit. Improper operation and welding might cause ESD damage or performance reduction and chip operation failure.

Limit parameters

Parameter name	Parameter symbol	Limit value	Unit
Logic supply voltage	VDD	-0.4~+7.0	V
Voltage of DIN and FDIN ports	Vin	-0.4~VDD+0.7	V
OUT port voltage	Vout	-0.4~+32.0	V
Operating temperate range	Topr	-40~+85	°C
Storage temperature range	Tstg	-50~+150	°C
ESD	Human body model (HBM)	3000	V
	Machine model (MM)	300	V

- (1) When the chip works for a long time under the above limit parameters, it may cause device reliability reduction or permanent damage. We do not suggest the chip works by exceeding these limit parameters under any other conditions.
- (2) All voltage values are comparatively tested in a systematic way.

Recommended operating conditions

Tested under -45°C~+85°C, unless otherwise specified			TM1914			Unit
Parameter name	Parameter symbol	Testing condition	Min. value	Typical value	Max. value	
Supply voltage	VDD		4.5	5.0	6.5	V
Voltage of DIN and FDIN ports	Vin	VDD = 5V, DIN and FDIN are connected in series with a 1KΩ resistor			VDD+0.4	V
Voltage of DO1 and DO2 ports	Vdo	VDD = 5V, DO1 and DO2 are connected in series with a 1KΩ resistor			VDD+0.4	V
SET port voltage	Vset	VDD=5V			VDD+0.4	V
OUT port voltage	Vout	OUT=OFF			24.0	V

Dedicated Circuit for 3-channel LED Constant Current Drive TM1914

Electrical characteristics

Tested under VDD = 3.0-5.5V and operating temperature = -40°C-+85°C, unless otherwise specified			TM1914			Unit
Parameter name	Parameter symbol	Testing condition	Min. value	Typical value	Max. value	
High level output voltage	Voh	Ioh=3mA	VDD-0.5			V
Low level output voltage	Vol	Iol=10mA			0.4	V
High level input voltage	Vih	VDD=5.0V	3.5		VDD	V
Low level input voltage	Vil	VDD=5.0V	0		1.5	V
High level output current	Ioh	VDD=5.0V, Vdo=4.9V		1		mA
Low level output current	Iol	VDD=5.0V, Vdo=0.4V		10		mA
Input current	Iin	DIN and FDIN connect with VDD		1		μA
Quiescent current	IDD	VDD=4.0V, GND=0V, other ports are suspended	0.5	1.2	1.5	mA
OUT output constant current	Iout	OUTR, OUTG, OUTB=ON, Vout=3.0V	17.1	18	18.9	mA
OUT output leakage current	Iolk	OUTR, OUTG, OUTB=OFF, Vout=24.0V			0.5	μA
Constant-current error between channels	ΔIolc0	OUTR, OUTG, OUTB=ON, Vout=3.0V			±3	%
Constant-current error between chips	ΔIolc1	OUTR, OUTG, OUTB=ON, Vout=3.0V			±5	%
Consumed power	Pd	Ta=25°C			250	mW

Switch characteristics

Tested under VDD = 3.0-5.5V and operating temperature = -40°C-+85°C, typical value VDD = 5.0V, TA = +25°C, unless otherwise specified			TM1914			Unit
Parameter name	Parameter symbol	Testing condition	Min. value	Typical value	Max. value	
Data rate	Fin			800		KHz
OUT PWM output frequency	Fout	OUTR, OUTG, OUTB		666		Hz
Propagation delay time	Tplz	DIN → DO1, DO2 FDIN → DO1, DO2		155		ns
Input capacitance	Ci				15	pF

Time sequence characteristics

Parameter name	Parameter symbol	Testing condition	Min. value	Typical value	Max. value	Unit	
Input 0 ode, low level time	T0l	VDD=5.0V GND=0V	310	360	410	ns	
Input 1 ode, low level time	T1l		650	720	1000	ns	
Output 0 ode, low level time	T0l'			350		ns	
Output 1 ode, low level time	T1l'			700		ns	
0 code or 1 code cycle	T0/T1				1.25		μs
Reset code, high level time	Treset			200			μs

(1) When 0 code or 1 code cycle is within the range of 1.25μs (frequency 800KHz) to 2.5μs (frequency 400KHz), the chip can normally work, but the low level time of 0 code and 1 code must accord with the corresponding values in the above table;

(2) When reset is not required, the high level time between bytes should not exceed 50μs, or else the chip may be rest to receive data again, which cannot achieve correct data transmission.

Dedicated Circuit for 3-channel LED Constant Current Drive TM1914

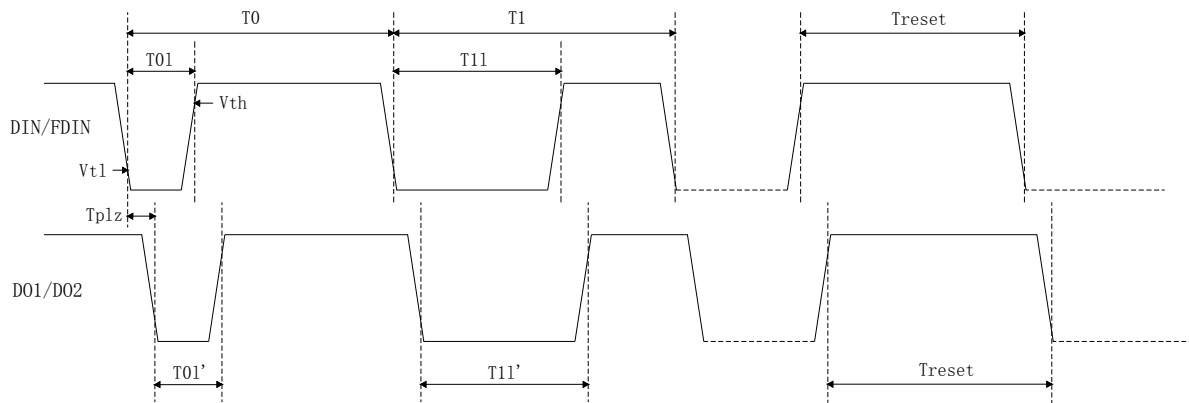


Figure 5

Function description

1. Mode setting

The chip adopts single-wire two-channel communication and adopts 1-code mode to send signals. A correct operating mode should be configured before the chip receives display data to select the mode of display data. A mode setting command totally contains 48 bits, in which the former 24 bits belong to the command code and the latter 24 bits belong to check ones-complement code. After reset, the chip begins to receive data. There are totally 3 kinds of mode setting commands as follows:

(1) 0xFFFFF0_000000:

The chip is configured as normal operating mode. In this mode, it is defaulted for the first time that DIN receives display data. When the chip detects that this port has signal input, it will always maintain reception by this port. In case no data is received for more than 300ms, it will switch to that FDIN receives display data. When the chip detects that this port has signal input, it will always maintain reception by this port. In case no data is received for more than 300ms, it will switch to that DIN receives display data again. DIN and FDIN switch in a circulatory way to receive display data.

(2) 0xFFFFFA_000005 command:

The chip is configured as DIN operating mode. In this mode, the chip only receives the display data input from DIN port and FDIN port data is invalid.

(3) 0xFFFFF5_00000A command:

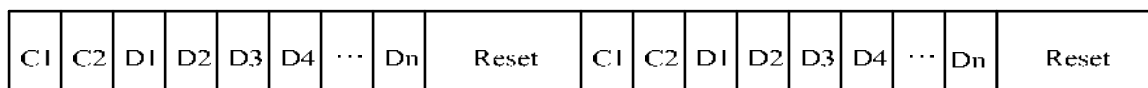
The chip is configured as FDIN operating mode. In this mode, the chip only receives the display data input from FDIN port and DIN port data is invalid.

2. Display data

After power-on reset and reception of a mode setting command, the chip begins to receive display data. When the 24-bit data are received, DO1 and DO2 ports will start to forward the data continuously sent from DIN or FDIN port, which provides display data for the next cascaded chip. Prior to forwarding data, DO1 and DO2 ports are always at high level. If DIN or FDIN port is input with Reset signals, chip OUT port will output the PWM waveform of corresponding duty ratio according to the received 24-bit data, and the chip will wait to receive new data again. Upon receiving the initial 24-bit data, DO port will forward the data. Before the chip receives no Reset signal, the original output of OUTR, OUTG and OUTB remains unchanged.

The chip adopts auto integer forwarding technology, so that the signals will not distort and attenuate. For all the cascaded chips, the cycles of data transmission are consistent.

3. Structure of a complete frame of data



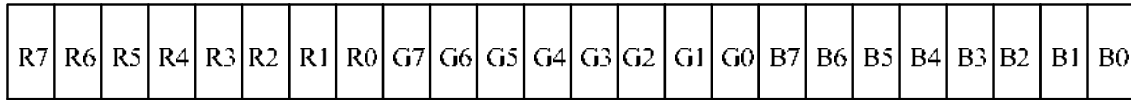
C1 and C2 are mode setting commands and each contains 24 data bits. Each chip receives and forwards

Dedicated Circuit for 3-channel LED Constant Current Drive TM1914

C1 and C2, in which 0xFFFFF_00000 is normal operating mode command, 0xFFFFFA_00005 is DIN operating mode command, and 0xFFFFF5_00000A is FDIN operating mode command.

The data formats of D1, D2, D3, D4,...Dn are the same, wherein D1 means the display data packet of the first cascaded chip and Dn means the data display packet of the nth cascaded chip. Each display data packet contains 24 data bits. Reset means reset signal, valid at high level.

4. Data format of Dn



Each data packet contains 8×3 data bits, with higher bits sent first.

R[7:0]: used to set the PWM duty ratio output by OUTR. Full 0 code is off, full 1 code is of maximum duty ratio, 256-level adjustable.

G[7:0]: used to set the PWM duty ratio output by OUTG. Full 0 code is off, full 1 code is of maximum duty ratio, 256-level adjustable.

B[7:0]: used to set the PWM duty ratio output by OUTB. Full 0 code is off, full 1 code is of maximum duty ratio, 256-level adjustable.

5. Data reception and forwarding

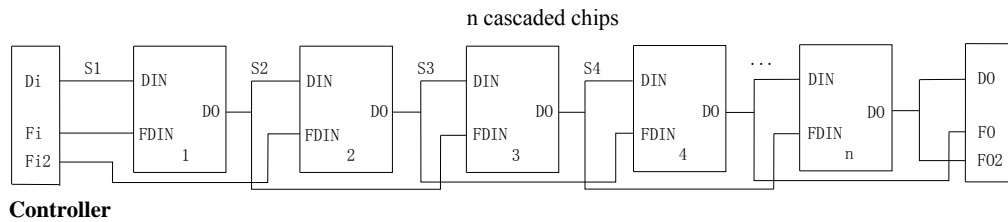


Figure 6

Wherein, S1 is the data sent by Di port of the controller, S2, S3 and S4 are the data forwarded by cascaded TM1914.

Data structure of Di and Fi2 ports of the controller: C1C2D1D2D3D4.....Dn;

Data structure of Fi port of the controller: C1C2DxD1D2D3.....Dn;

Wherein, Dx is any bit of the 24 data bits.

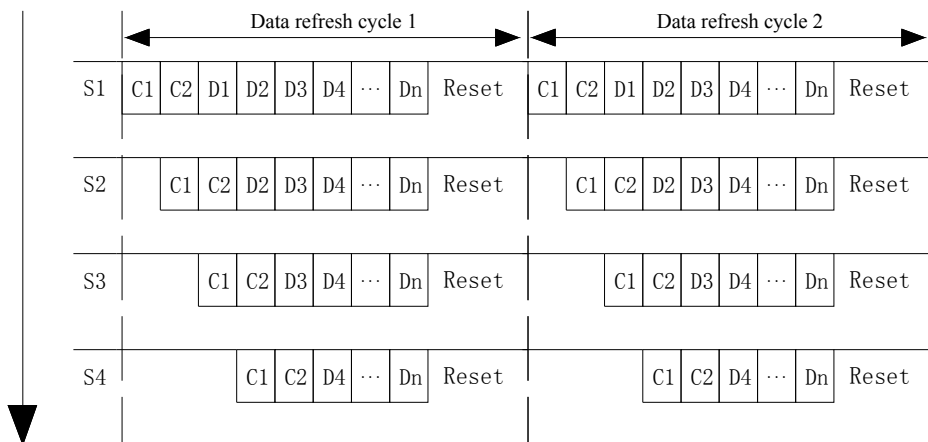


Figure 7

Dedicated Circuit for 3-channel LED Constant Current Drive TM1914

The data transmission and forwarding process when chips are cascaded is as follows: controller sends data S1, chip 1 receives C1 and C2 for checking, if the command is correct, it will forward C1 and C2, meanwhile, it absorbs D1, if there is no Reset signal at this time, chip 1 will keep forwarding the data continuously sent from the controller; chip 2 also receives C1 and C2 for checking, if the command is correct, it will forward C1 and C2, meanwhile, it absorbs D2, if there is no Reset signal at this time, chip 2 will keep forwarding the data continuously sent from chip 1; and so forth, until the controller sends Reset signal, all the chips will reset and control the received 24-bit data to output them from OUT port after decoding, which completes a data refresh cycle and makes the chips return to the reception-ready state. Reset is valid at high level. To make the chip reset, the high level time should be maintained at more than 200μs.

Application information

1. Typical application circuit

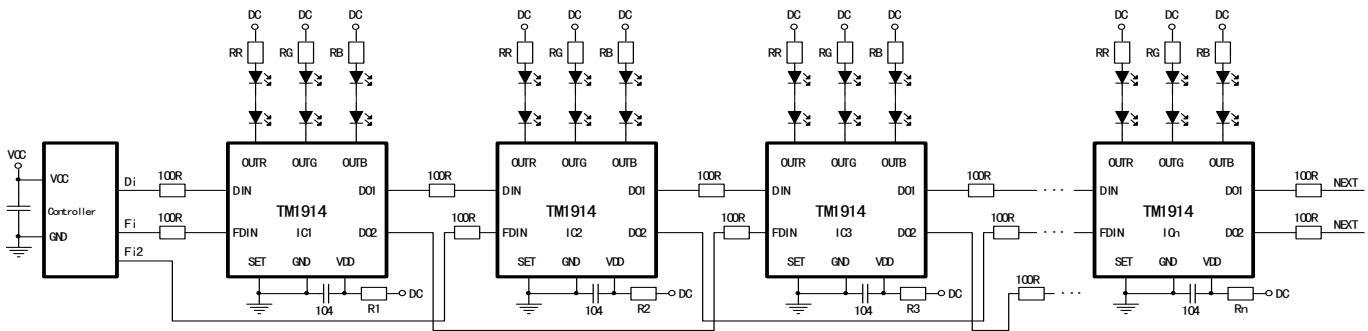


Figure 8

To prevent chip signal input/output pin damage caused by the transient peak voltage generated by hot plugging when the product is tested, 100Ω protective resistors should be connected in parallel at signal input and output pins. Besides, the 104 decoupling capacitance of each chip in the figure is indispensable, and the wiring to the VDD and GND pins of the chips should be as short as possible, in order to achieve optimal decoupling effect and stable chip operation.

2. Power configuration

TM1914 can be configured with DC6-24V power supply, but different power resistors should be configured according to different input voltages. Calculation method of resistance: when the current of VDD port is 10mA, VDD series resistance $R = (DC - 5.5V) \div 10mA$ (DC is supply voltage).

Typical values of configured resistors are as shown in the following table:

Supply voltage (DC)	Suggested power interface and VDD series resistance value
5V	No need of connection of resistors, internal voltage-regulator tube malfunctions
6V	50Ω
9V	350Ω
12V	650Ω
24V	1.8KΩ

3. Functions of different operating modes

In the process of normal use, the chips should be set as normal operating mode. To switch data input through DIN and FDIN and two-channel data output through DO1 and DO2 can effectively prevent abnormal transmission of data caused by the damage of the data input or output port of a chip or the damage of the entire chip.

In the process of aging and installation, the chips can be set as DIN operating mode and FDIN operating mode to test the chips and their wire connectivity, in a way to discover chip damage, bad wire connection or other hidden dangers in a timely manner.

Dedicated Circuit for 3-channel LED Constant Current Drive TM1914

4. How to calculate the data refresh rate

The data refresh time is calculated according to how many pixel points are cascaded in one system. A set of RGB is usually a pixel (or a segment), a TM1914 chip can control a set of RGB.

Calculated according to the normal mode:

1-bit data cycle is $1.25\mu\text{s}$ (frequency 800KHz), and 1-pixel data contains R (8 bits), G (8 bits) and B (8 bits), totally 24 bits. The transmission time is $1.25\mu\text{s} \times 24 = 30\mu\text{s}$. If one system contains 1,000 pixel points, the time for refreshing full display once is $30\mu\text{s} \times 1000 = 30\text{ms}$ (omitting C1, C2 and Reset signal time), i.e., the refresh rate of one second is: $1 \div 30\text{ms} \approx 33\text{Hz}$.

The following table shows the highest data refresh rates corresponding to cascaded pixel points:

Pixel points	Normal mode	
	Fastest time for refreshing data once (ms)	Highest data refresh rates (Hz)
1~400	12	83
1~800	24	41
1~1000	30	33

5. How to make TM1914 work under optimal constant current state

The SET pin connected to GND of TM1914 applies to constant current drive. According to the constant current curve, when OUT port voltage reaches 0.8V, TM1914 will enter the constant current state. However, it does not mean it is better when the voltage is higher, because when the voltage is higher, the power consumption of the chip will be larger and the heating will be more serious, which lowers the reliability of the whole system. It is suggested that the voltage is 1.2-3V when OUT port is opened. Series resistance can be adopted to lower the excessive voltage of OUT port. The following is the calculation method for selecting resistance values:

System drive voltage: DC

Single LED breakover voltage drop: V_{led}

Series LED number: n

Constant current value: I_{out}

Constant current voltage: 1.5V

Resistance: R

$R = (DC - 1.5V - V_{led} \times n) \div I_{out}$

For example, system power supply: DC24V, single LED breakover voltage drop: 2V, number of series LED: 6, constant current value: 18mA, calculated according to the above formula: $R = (24V - 1.5V - 6V \times 2) \div 18\text{mA} \approx 583\Omega$. Only need to connect in series about 583 Ω resistance at OUT port.

6. How to use TM1914 current expansion

The output constant current of each OUT port of TM1914 is 18mA. If the user needs to expand the drive current, it can be used after the three OUT ports of RGB are short-circuited. The maximum constant current value will be increased by 18mA once every OUT port is short-circuited. After all the three OUT ports are short-circuited, the maximum constant current value can be 54mA. This method should be used along with software, respectively writing three sets of register values, which can realize accurate current control and larger drive current.

Dedicated Circuit for 3-channel LED Constant Current Drive TM1914

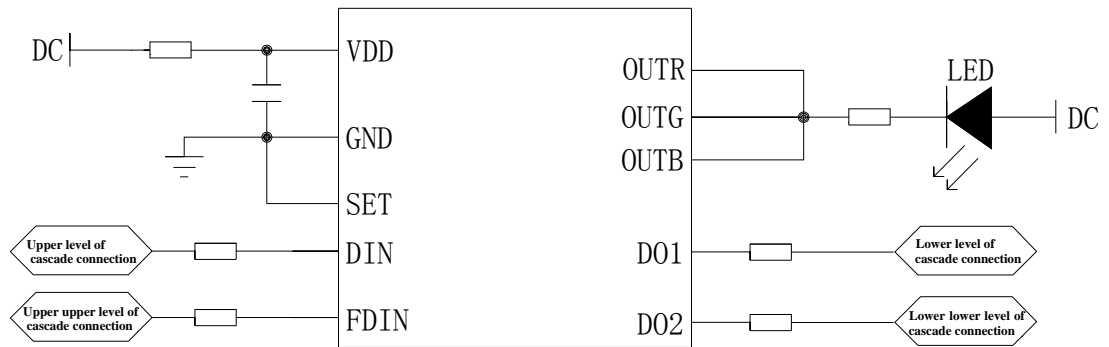


Figure 9

Constant current curve

When TM1914 is applied in LED product design, the current difference between channels and chips are very small. When the voltage of the load end changes, the stability of its output current will not be affected. The constant current curve is as shown in the following figure:

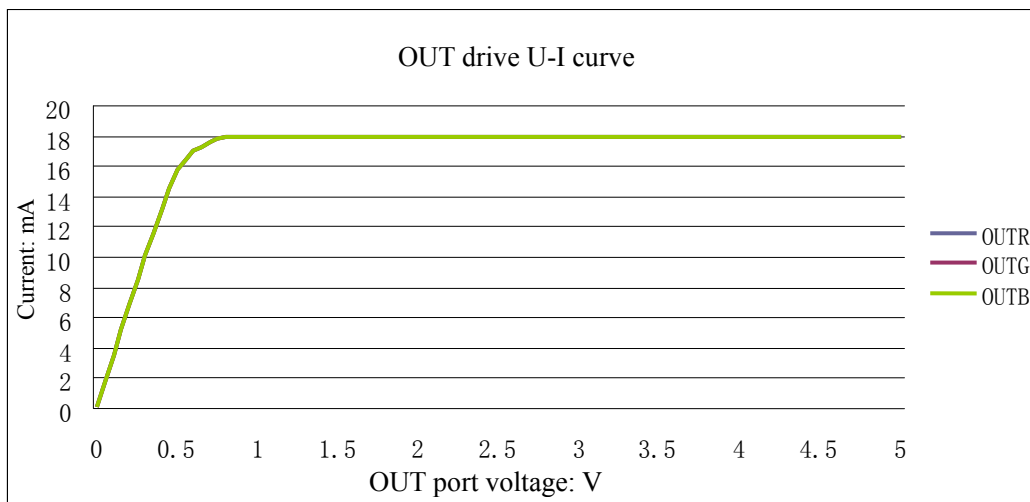
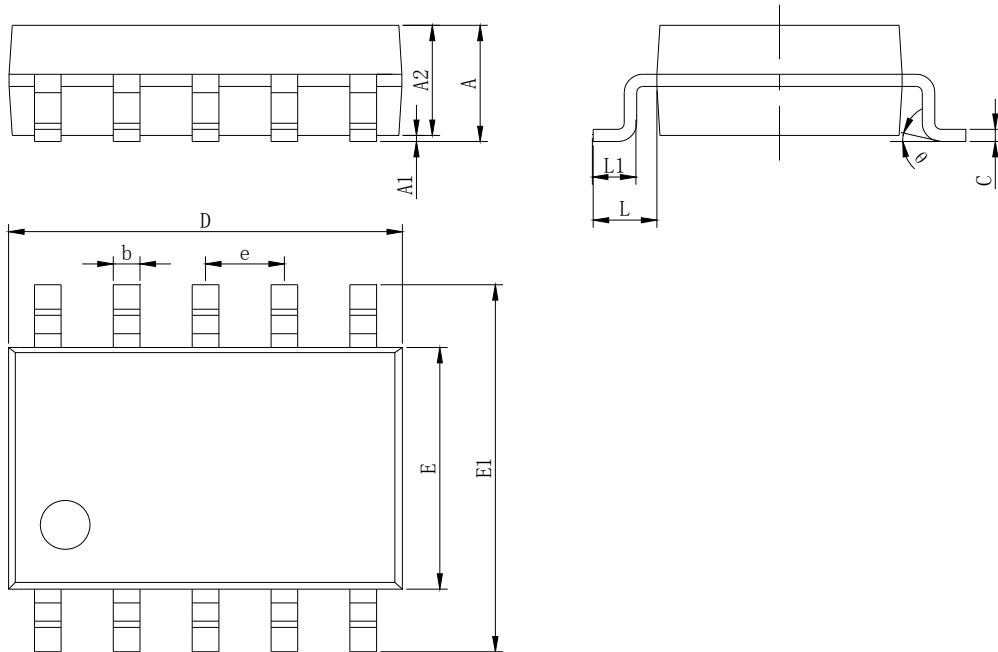
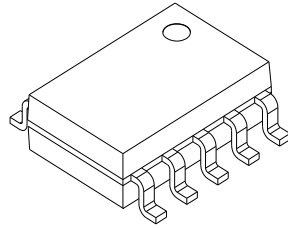


Figure 10

Dedicated Circuit for 3-channel LED Constant Current Drive TM1914

Packaging diagram (MSOP10, SSOP10)

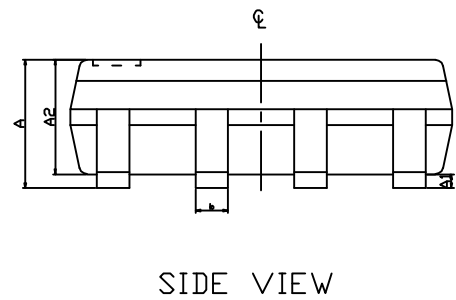
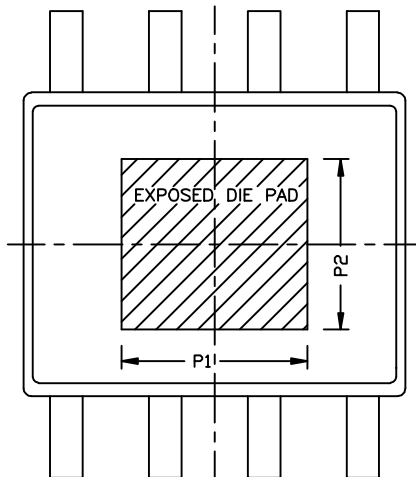
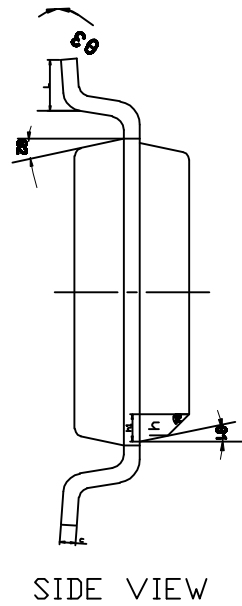
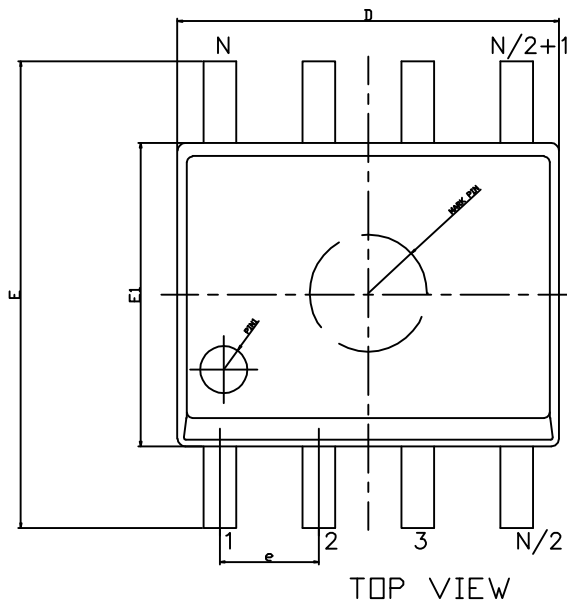


Symbol	MSOP10				SSOP10			
	Dimensions In Millimeters		Dimensions In Inches		Dimensions In Millimeters		Dimensions In Inches	
	Min	Max	Min	Max	Min	Max	Min	Max
A	0.9	1.1	0.035	0.043	-	1.75	-	0.067
A1	0.05	0.15	0.002	0.006	0.10	0.225	0.004	0.009
A2	0.75	0.95	0.030	0.037	1.30	1.50	0.051	0.059
b	0.170	0.270	0.007	0.011	0.39	0.48	0.015	0.019
c	0.085	0.225	0.003	0.009	0.21	0.26	0.008	0.010
D	2.9	3.1	0.114	0.122	4.70	5.10	0.185	0.201
E	2.900	3.1	0.114	0.122	3.70	4.10	0.146	0.161
e	0.5(BSC)		0.020(BSC)		1.0(BSC)		0.039(BSC)	
E1	4.750	5.05	0.187	0.199	5.80	6.20	0.228	0.244
L1	0.4	0.6	0.016	0.024	0.50	0.80	0.197	0.032
L	0.95(BSC)		0.037(BSC)		1.05(BSC)		0.041(BSC)	
θ	0°	8°	0°	8°	0°	8°	0°	8°

(All specs and applications shown above are subject to change without prior notice.)

Dedicated Circuit for 3-channel LED Constant Current Drive TM1914

Packaging diagram (ESOP8)



Symbol	Dimensions In Millimeters		Dimensions In Inches	
	Min	Max	Min	Max
A	1.422	1.700	0.056	0.067
A1	0.025	0.127	0.001	0.005
b	0.406(TYP)		0.016(TYP)	
c	0.2(TYP)		0.008(TYP)	
D	4.852	4.952	0.191	0.195
E	5.842	6.198	0.23	0.244
E1	3.877	3.997	0.153	0.157
e	1.270(TYP)		0.050(TYP)	
θ1	12° (TYP)		12° (TYP)	
L	0.406	0.889	0.016	0.035
P1	2.972	3.200	0.117	0.156
P2	2.082	2.311	0.082	0.091

(All specs and applications shown above are subject to change without prior notice.)