



LED NEON FLEX SPECIFICATION

SAUNA IP67 NEON 1617 24V SIDE VIEW

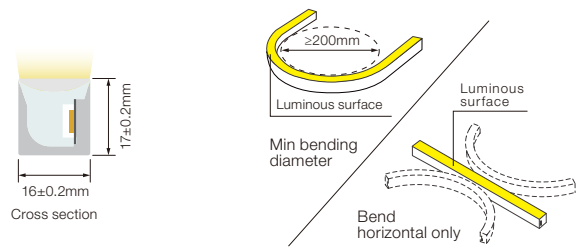
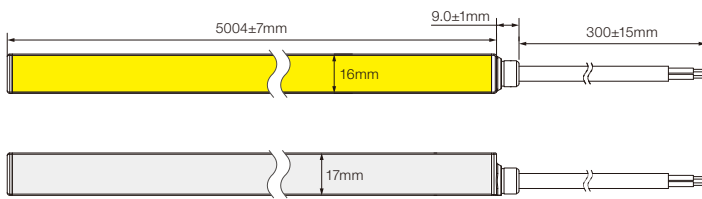


Note: LEDYI may change product specifications and installation guidance without prior notice.

- Using Dow Corning's high light transmittance, environmentally friendly silicone material, co-extrusion molding process, with heat and moisture resistance, can withstand high temperature and humid environment, specially designed for sauna environment;
- IP67 waterproof, ensure durability, prevent dust and water from entering, in the steam and heat, the lamp strip can continue to effectively illuminate the sauna space;
- Low voltage power supply, high safety;
- Using Lumileds leds, excellent performance, high temperature environment can also maintain stable work;
- A variety of colors are available, which can be compatible with the intelligent control system to achieve remote control and automatic adjustment, helping to create a peaceful and relaxing atmosphere, relieve stress and enhance the sauna experience;
- Ambient temperature: -25°C ~ 105°C, three-year warranty.



Dimensions & Waterproof



Electrical Parameter

Voltage	DC24V
LED PIN Temperature	Max. 120°C
Storage Temperature	-25°C~ 60°C
Ambient Temperature	Min.-25°C, Max (Table below)
CRI	≥90

Specification

Power	5w/m
Efficacy@4000K	CV : 84.2lm/w CC : 65.4lm/w
Max Ambient Temperature	105°C

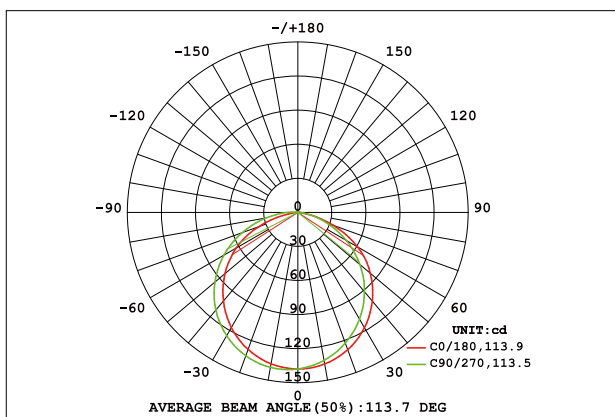
Due to the tolerance of the production and electrical components, output value and electrical power can vary up to 10%

Length Standard

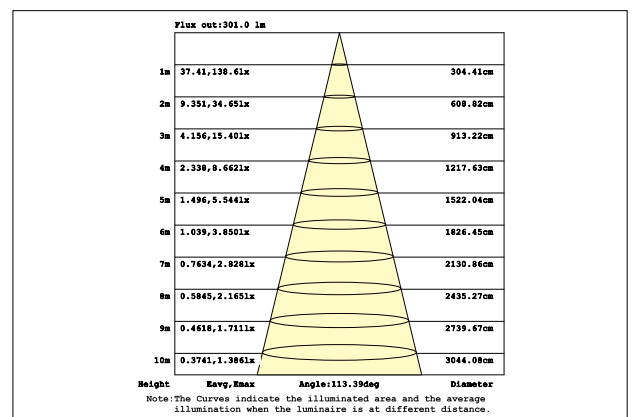
Length Range (M)	Final Length Integral end cap	Tolerance
0M<Neon Strip(L)≤5M	L+5	±7
5M<Neon Strip(L)≤10M	L+5	±10
10M<Neon Strip(L)≤15M	L+5	±13

Length Range (M)	Final Length Integral end cap	Tolerance
15M<Neon Strip(L)≤20M	L+5	±16
20M<Neon Strip(L)≤25M	L+5	±19

Light Distribution Curve



Luminance curve



Note: The above data is based on 24V, 5W/M, single colour with 4000k colour temperature. If you need IES files for other types, please contact our sales department.

Single color (CV)

CCT(K)	SDCM	CRI	Voltage	Power(W)	Lumen (LM/M)	Efficiency (LM/W)	Unit Length (mm)	Max. Run Length (M)	CC/CV
2700	≤3	≥90	DC24V	5	377	75.3	50	10	CV
3000	≤3	≥90	DC24V	5	385	77.0	50	10	CV
3500	≤3	≥90	DC24V	5	415	83.0	50	10	CV
4000	≤3	≥90	DC24V	5	421	84.2	50	10	CV
5000	≤4	≥90	DC24V	5	421	84.2	50	10	CV
6500	≤5	≥90	DC24V	5	404	80.7	50	10	CV

Single color (CC)

CCT(K)	SDCM	CRI	Voltage	Power(W)	Lumen (LM/M)	Efficiency (LM/W)	Unit Length (mm)	Max. Run Length (M)	CC/CV
2700	≤3	≥90	DC24V	5	302	60.4	50	24	CC
3000	≤3	≥90	DC24V	5	312	62.4	50	24	CC
3500	≤3	≥90	DC24V	5	326	65.1	50	24	CC
4000	≤3	≥90	DC24V	5	327	65.4	50	24	CC
5000	≤4	≥90	DC24V	5	327	65.4	50	24	CC
6500	≤5	≥90	DC24V	5	325	64.9	50	24	CC

CCT Tunable

CCT(K)	CRI	Voltage	Power(W)	Lumen (LM/M)	Efficiency (LM/W)	Unit Length (mm)	Max. Run Length (M)	CC/CV
2700 ±150	≥90	DC24V	5	386	77.2	71.4	5	CV
6500 ±500	≥90	DC24V	5	412	82.3	71.4	5	CV
2700+6500	≥90	DC24V	5	419	83.7	71.4	5	CV

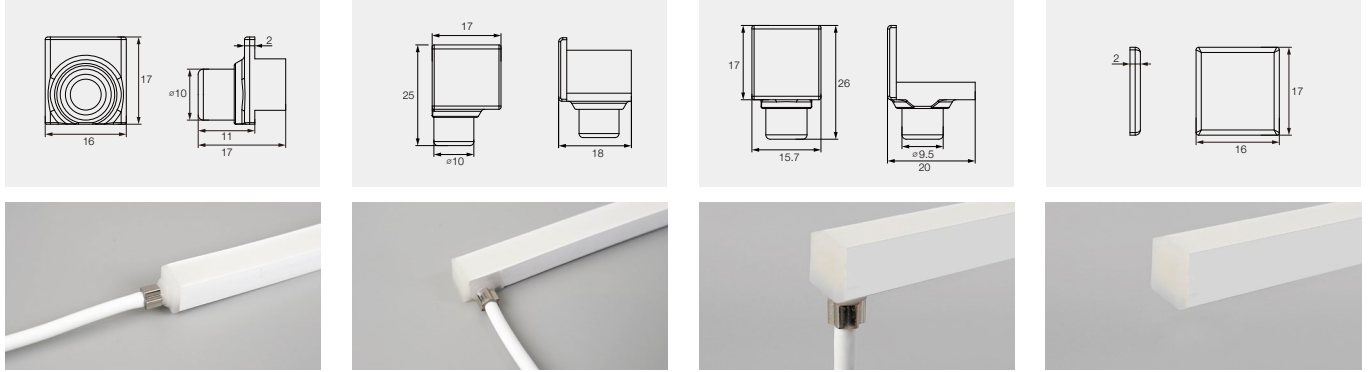
RGBW

CCT(K)	CRI	Voltage	Power(W)	Lumen (LM/M)	Efficiency (LM/W)	Unit Length (mm)	Max. Run Length (M)	CC/CV
R	--	DC24V	2.5	73	29.0	83.3	5	CV
G	--	DC24V	2.5	222	88.8	83.3	5	CV
B	--	DC24V	2.5	43	17.0	83.3	5	CV
2700 ⁺⁵⁰ ₋₂₅₀	≥80	DC24V	2.5	182	72.8	83.3	5	CV
RGBW	--	DC24V	10	527	52.7	83.3	5	CV
R	--	DC24V	2.5	71	28.4	83.3	5	CV
G	--	DC24V	2.5	183	73.2	83.3	5	CV
B	--	DC24V	2.5	44	17.7	83.3	5	CV
3000 ⁺⁵⁰ ₋₃₀₀	≥80	DC24V	2.5	189	75.4	83.3	5	CV
RGBW	--	DC24V	10	484	48.4	83.3	5	CV
R	--	DC24V	2.5	63	25.2	83.3	5	CV
G	--	DC24V	2.5	205	81.9	83.3	5	CV
B	--	DC24V	2.5	45	17.9	83.3	5	CV
W : 3200 ⁺²⁵⁰ ₋₁₅₀	≥80	DC24V	2.5	197	78.8	83.3	5	CV
RGBW	--	DC24V	10	509	50.9	83.3	5	CV
R	--	DC24V	2.5	67	26.6	83.3	5	CV
G	--	DC24V	2.5	214	85.7	83.3	5	CV
B	--	DC24V	2.5	45	18.0	83.3	5	CV
W : 3500 ⁺³⁵⁰ ₋₁₅₀	≥80	DC24V	2.5	187	74.8	83.3	5	CV
RGBW	--	DC24V	10	517	51.7	83.3	5	CV
R	--	DC24V	2.5	63	25.1	83.3	5	CV
G	--	DC24V	2.5	193	77.1	83.3	5	CV
B	--	DC24V	2.5	42	16.7	83.3	5	CV
W : 4500 ⁺²⁰⁰ ₋₄₀₀	≥80	DC24V	2.5	184	73.6	83.3	5	CV
RGBW	--	DC24V	10	482	48.2	83.3	5	CV
R	--	DC24V	2.5	66	26.4	83.3	5	CV
G	--	DC24V	2.5	202	80.8	83.3	5	CV
B	--	DC24V	2.5	42	16.7	83.3	5	CV
W : 5700 ⁺²⁵⁰ ₋₇₅₀	≥80	DC24V	2.5	184	73.5	83.3	5	CV
RGBW	--	DC24V	10	496	49.6	83.3	5	CV

- The maximum series length refers to the maximum single end power supply length of the constant current strip under the condition of standard 30cm wire .
- For the load capacity of the solder free end cap, please refer to <The Maximum Load Capacity of Power Cables>
- The given color temperature is the temperature of finished product.
- The given data are typical values due to the tolerances of the production process and the electrical components, values for light output and electrical power can vary up to 10%.
- All products can be dimmed; the dimmer's voltage should conform to the rated voltage of the led light.
- The output frequency of the dimmer of the constant-current led light should be **less than 2K Hz**, and the output PWM can control the led light

Cable Entry

Integral End Cap (IP67)



Front Cable Entry

Side Cable Entry

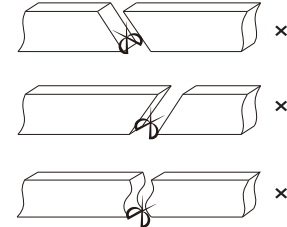
Bottom Cable Entry

Closed End cap

Cable

Cable Type	Schematic Diagram	Specification	Core	Electrical Properties
Silicone Cable		OD: 6.0mm / Inner core: 20AWG	●●	Red V+, Black V-
		OD: 6.0mm / Inner core: 20AWG	●●	Black V+, White W, Yellow WW
		OD: 6.4mm / Inner core: Red/Black--20AWG Green/Blue/White--22AWG	●●●●	Black V+, White W, Blue B, Green G, Red R
Waterproof Connector with Silicone Cable		OD: 6.0mm / Inner core: 20AWG M12Male / Female connecto	●●	Red V+, Black V-
		OD: 6.0mm / Inner core: 20AWG M12Male / Female connecto	●●	Black V+, White W, Yellow WW
		OD: 6.4mm / Inner core: Red/Black--20AWG Green/Blue/White--22AWG M12Male / Female connecto	●●●●	Black V+, White W, Blue B, Green G, Red R

Cutting Mark



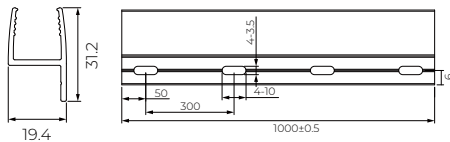
Remark:
The bottom of the led strip doesn't have transparent window, the black marker is the cutting position

Use professional scissors to cut vertically at the cutting mark

Please don't be feel free to cut and cut into an oblique angle or cambered section.

Accessories

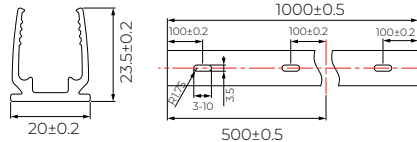
PC Profile



Length: 1000X19.4X31.2

Accessories:
Screw M3X16 (SUS304)

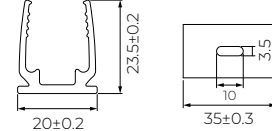
PC Profile



Length: 1000X20X23.5

Accessories:
Screw M3X16 (SUS304)

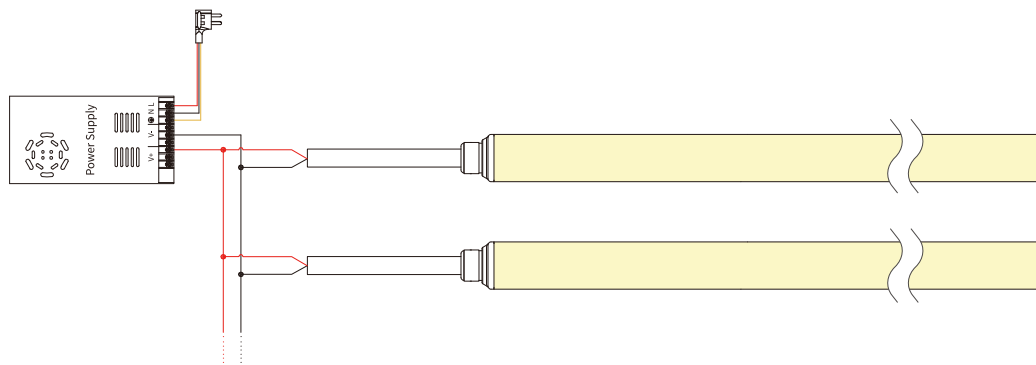
PC Profile



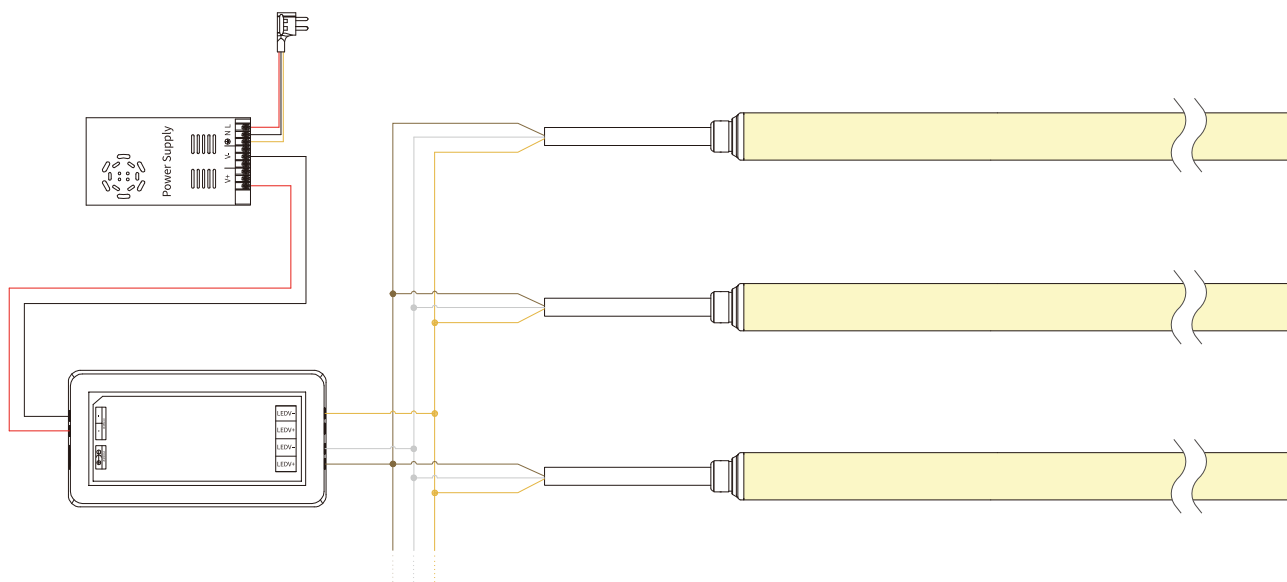
Length: 35X20X23.5

Accessories:
Screw M3X16 (SUS304)

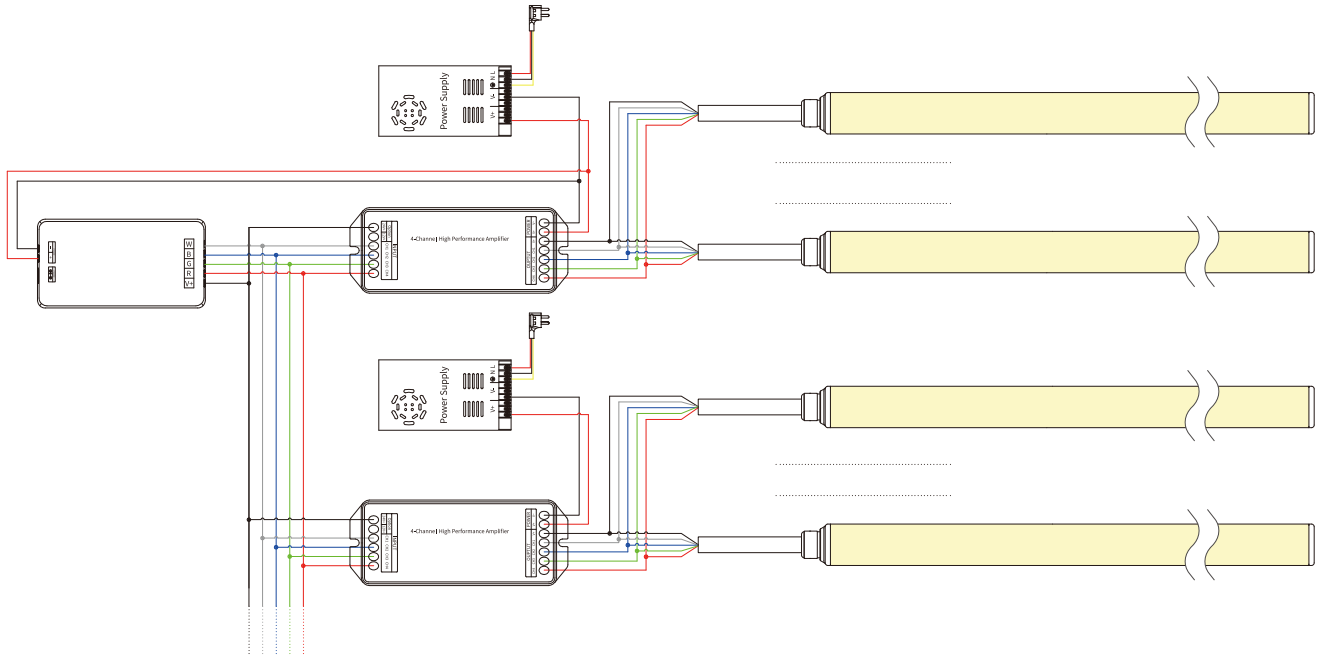
Single Color Connection Diagram



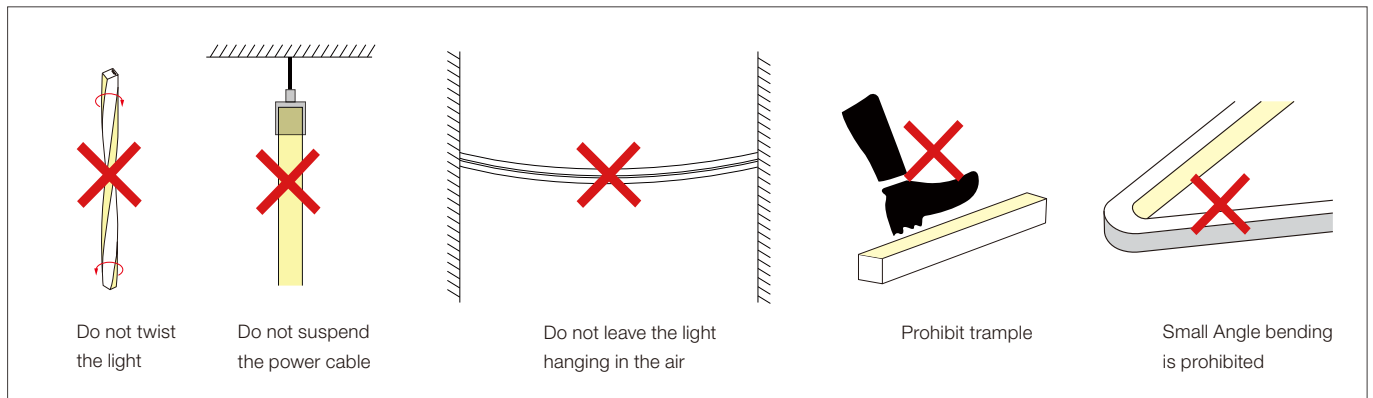
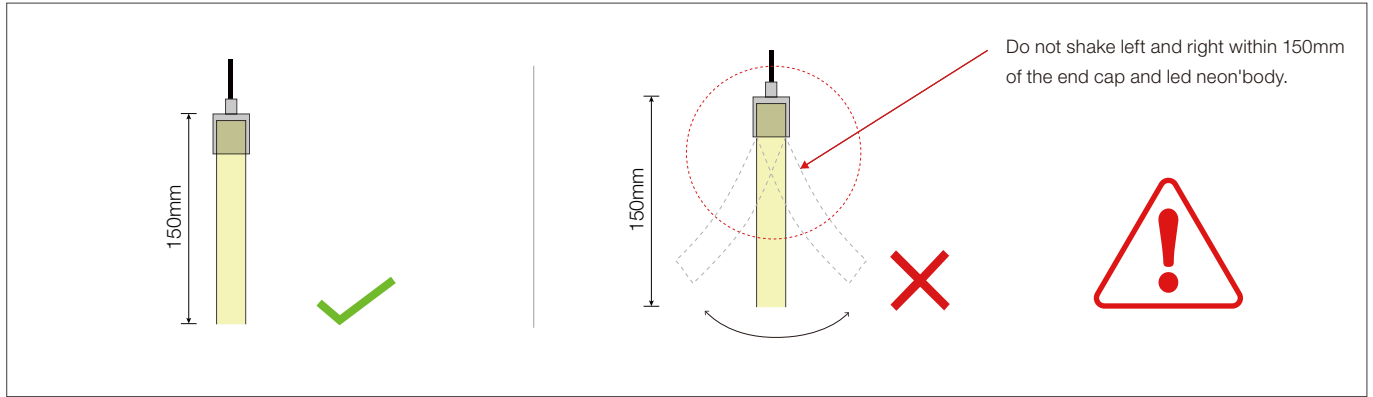
Tunable white Connection Diagram



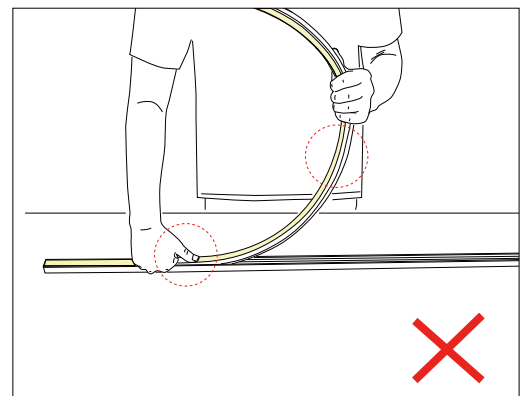
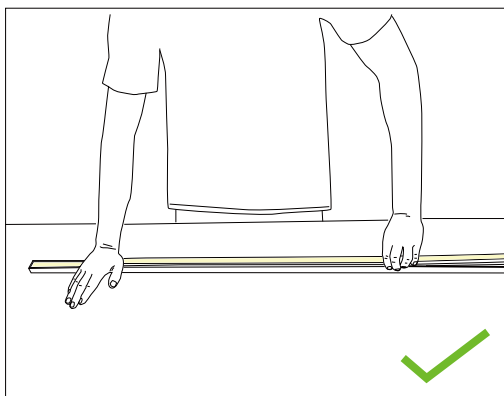
RGB Connection Diagram



Installation Precautions



Put it in the profile



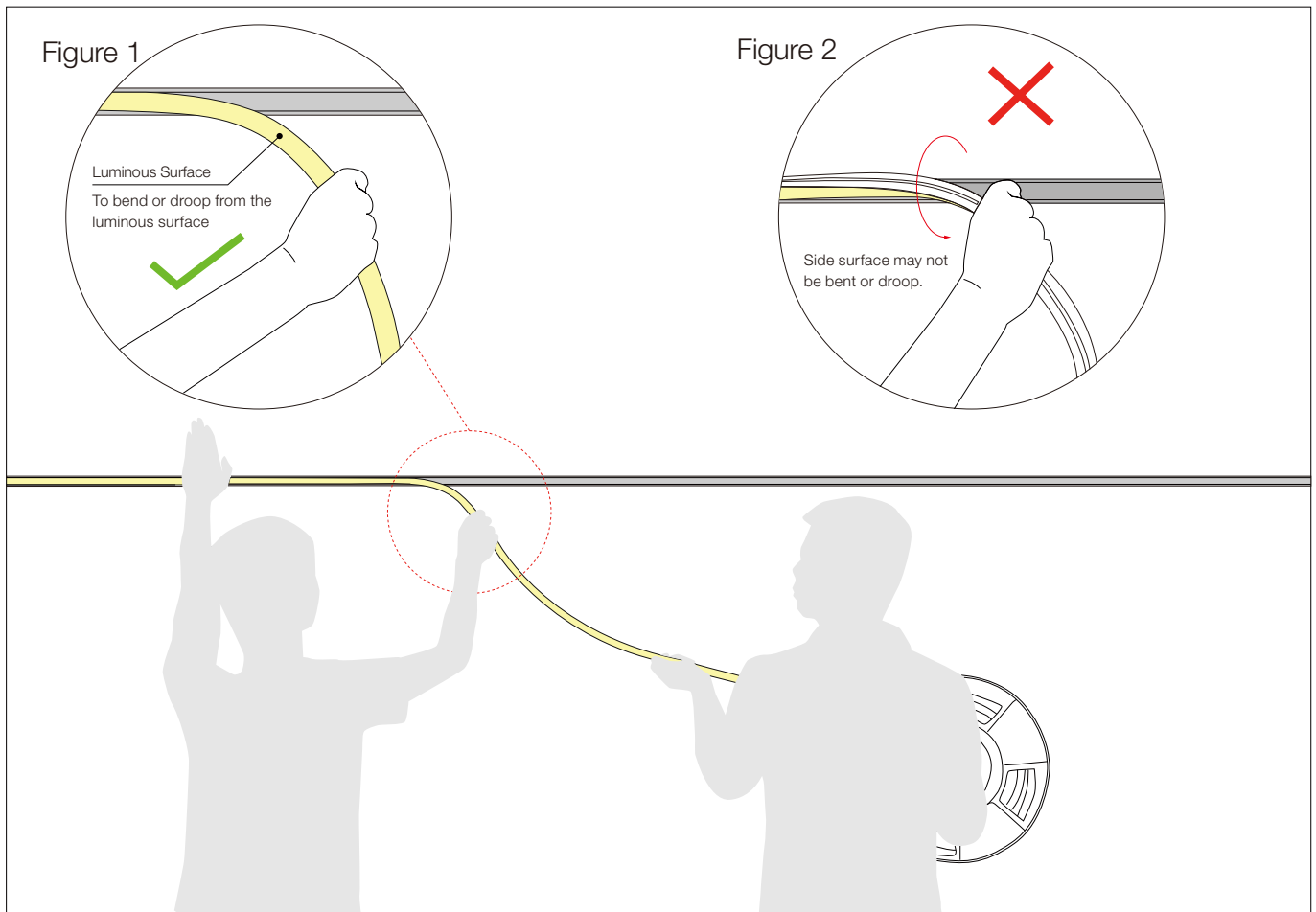
- Please press the led strip with your palm to slowly insert the led strip into the groove, and gently straighten the led strip above the groove with your right hand.

- Try to keep the led strip in a flat state during the installation process.

- Do not press the led strip with a single finger, it is easy to damage the internal parts of the led strip.

- The bent arc of the led strip should not be too large during installation.

Installation Precautions--Side Mounted (If the length of the light is more than 2 meters, two persons must work together to install it.)

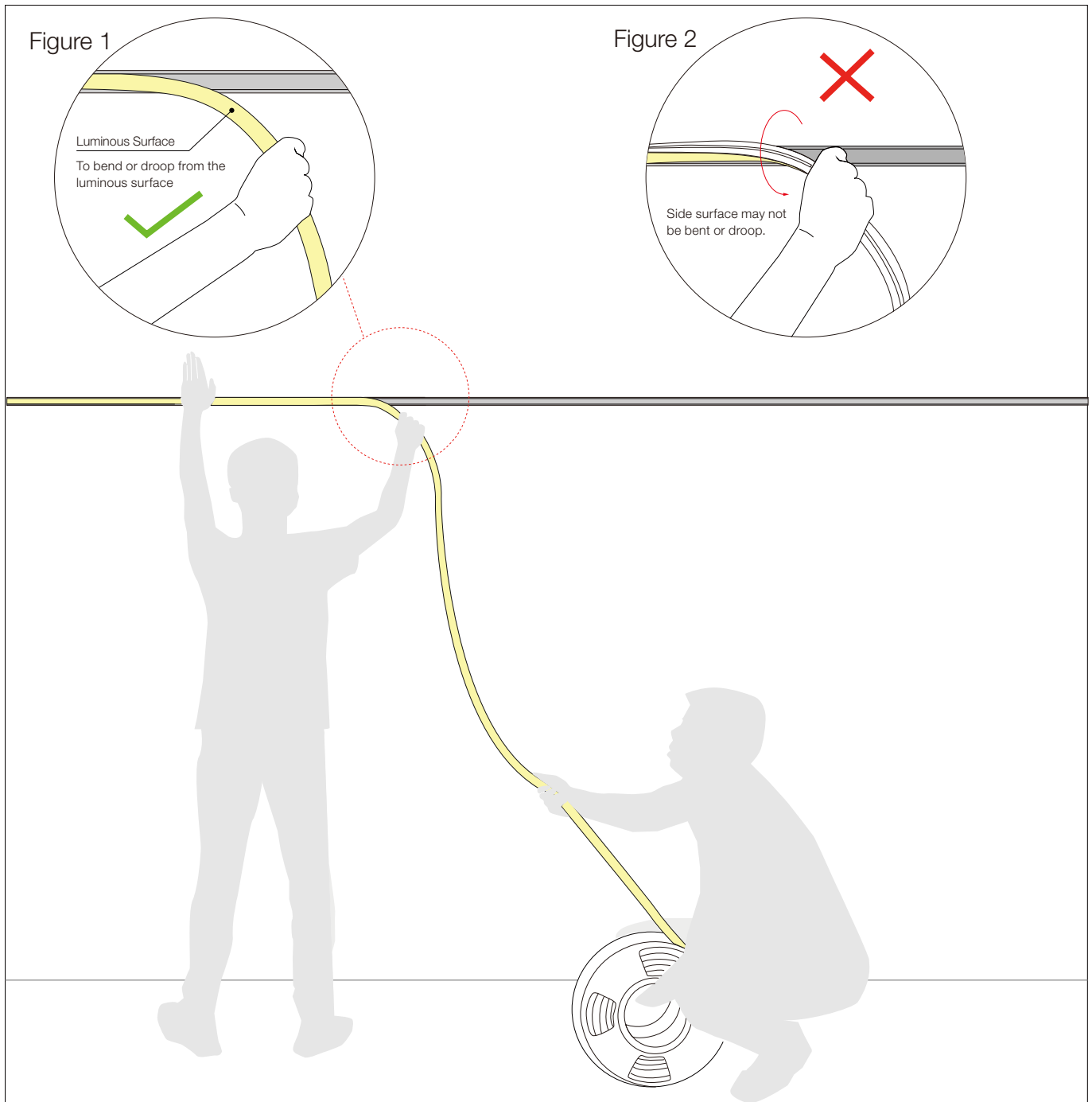
**1. Installer:**

- Press the light with the palm of the left hand to slowly load it into the slot. Straighten the light with right hand so that it droop in the direction of your hand. See Figure 1.
- Side surface may not be bent or droop, See Figure 2.

2. Assistant:

- Cooperate with the installer to lift the reel of the light, and then slowly deliver the light to installer. Do not pull or twist the light during the installation.

Installation Precautions--Side Mounted (If the length of the light is more than 5 meters, two persons must work together to install it.)



1.Installer:

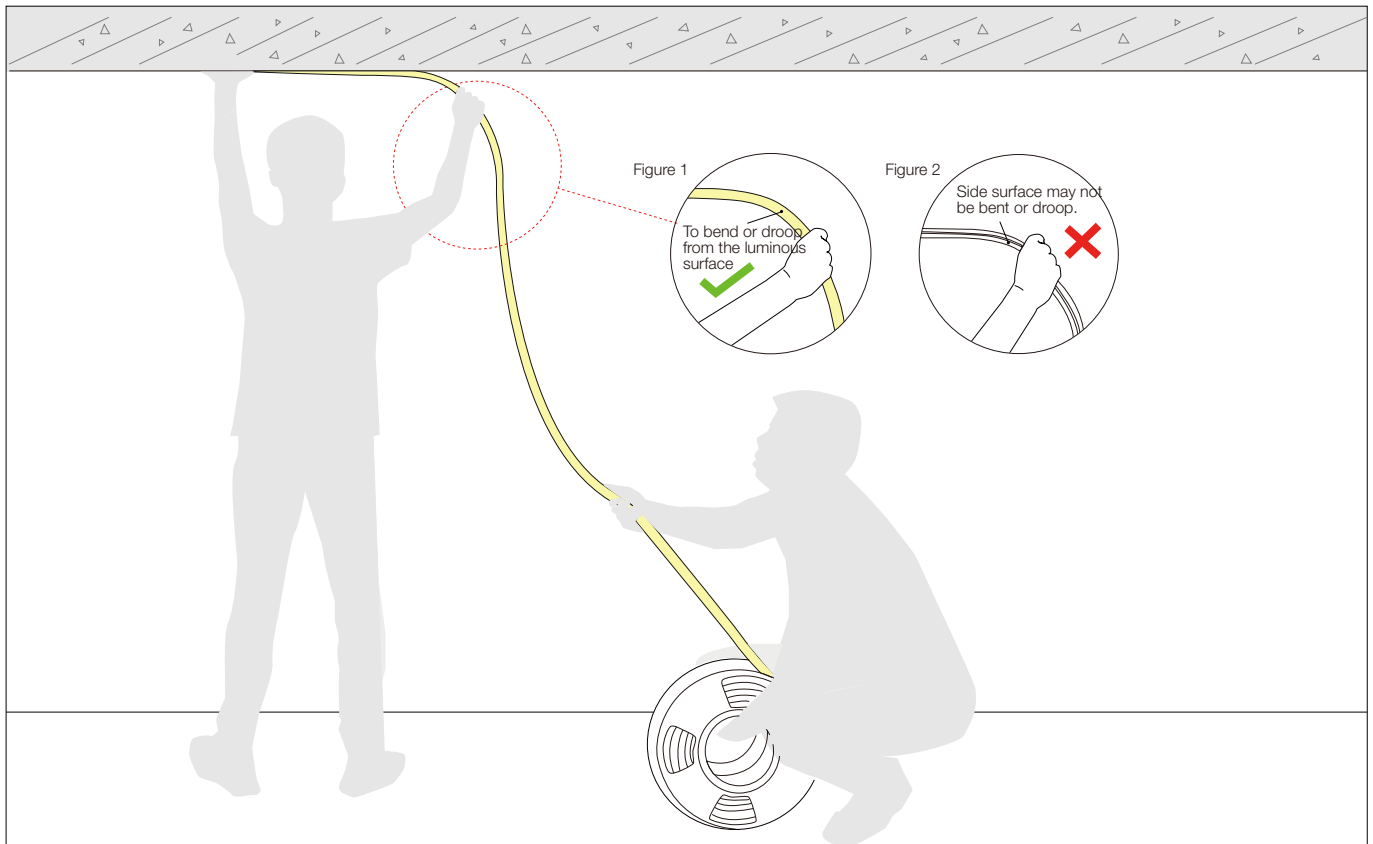
- Press the light with the palm of the left hand to slowly load it into the slot. Straighten the light with right hand so that it droop it in the direction of your hand. See Figure 1.
- Side surface may not be bent or droop, See Figure 2.

2.Assistant:

- Cooperate with the installer to slowly deliver the light to installer. Do not pull or twist the light during the installation.

Installation Precautions--Top Mounted

(If the length of the light is more than 2 meters, two persons must work together to install it.)



1.Installer:

- Press the light with the palm of the left hand to slowly load it into the Slot. Straighten the light with right hand, hold it and rotate it 90° to droop it in the direction of your hand. See Figure 1.
- Side surface may not be bent or droop, See Figure 2.

2.Assistant:

- Cooperate with the installer to slowly deliver the light to installer. Do not pull or twist the light during the installation.

Notes

The selection of the cable specification at the output end of the power supply, it depends on the total current of the load and the length of the cable. It is recommended to select according to the following table:

Current of the light	Specifications of the cable								
	L=1M	L=2M	L=4M	L=6M	L=8M	L=10M	L=12M	L=14M	L=16M
1A	AWG26	AWG23	AWG21	AWG18	AWG18	AWG17	AWG16	AWG15	AWG15
2A	AWG23	AWG21	AWG18	AWG16	AWG15	AWG14	AWG13	AWG12	AWG12
3A	AWG22	AWG18	AWG16	AWG14	AWG13	AWG12	AWG11	AWG11	AWG10
4A	AWG21	AWG18	AWG15	AWG13	AWG12	AWG11	AWG10	AWG9	AWG9
5A	AWG20	AWG17	AWG14	AWG12	AWG11	AWG10	AWG9	AWG9	AWG8
6A	AWG18	AWG16	AWG13	AWG11	AWG10	AWG9	AWG8	AWG8	AWG7
7A	AWG18	AWG15	AWG12	AWG11	AWG9	AWG8	AWG8	AWG7	AWG6
8A	AWG17	AWG15	AWG12	AWG10	AWG9	AWG8	AWG7	AWG7	AWG6
9A	AWG17	AWG14	AWG11	AWG10	AWG8	AWG7	AWG7	AWG6	AWG5
10A	AWG16	AWG14	AWG11	AWG9	AWG8	AWG7	AWG6	AWG6	AWG5

- ※ The unused light should be sealed with the packaging bag to avoid prolonged exposure.
- ※ Please use DC24V isolated constant voltage power supply with ripple voltage less than 5%. Using other types of power supply may damage the light or cause other safety risks.
- ※ In practical application, 20% allowance should be reserved for power supply to ensure the stability of power supply.
- ※ It is recommended that professionals connect the power supply. Do not connect the power supply with live power to avoid electric shock.
- ※ Please confirm whether the voltage of the power supply is consistent with the voltage of the light; Pay attention to the positive and negative poles of the power cord, do not connect wrong, so as not to cause product damage;
- ※ When multiple power supplies are used, ensure that the positive poles of the power supply are not connected in parallel. Otherwise, the power supply system may be unstable or damaged after long-term operation.
- ※ If the actual application length exceeds the specified length, it will lead to overload, heating and uneven brightness of the light.
- ※ During installation, please do not scratch, twist, or bend the light irregularly. Otherwise, the light may be damaged beyond repair.
- ※ To ensure the life and reliability of the light, please do not over bend the light, which will damage the product itself.
- ※ To protect your eyes, please avoid staring at the glowing surface of the light for a long time.
- ※ Non-professionals are forbidden to install, disassemble and maintain the product.
- ※ Do not use any acid or alkaline adhesive to fix the light (including but not limited to glass glue, etc.)
- ※ IP67 products are not suitable for long-term immersion in water; IP68 products are only customized by the factory. After cutting and processing by users themselves, there is a risk that IP68 protection level cannot be reached
- ※ Because of the difference in structure, even if the same color temperature value, different sizes of light will look slightly different colors. Please confirm it before use.

Tests showed that methanol and benzenes will have yellowing effects on silicone. In the newly decorated interior environment, epoxy floor paint, wall paint, wallpaper adhesive, various decoration materials or new furniture, they are likely to release of methanol and benzenes. It is recommended to remove methanol and benzenes first, or ventilate for a period of time in the newly decorated interior environment before install the silicone neon light, to avoid affecting the silicone body.