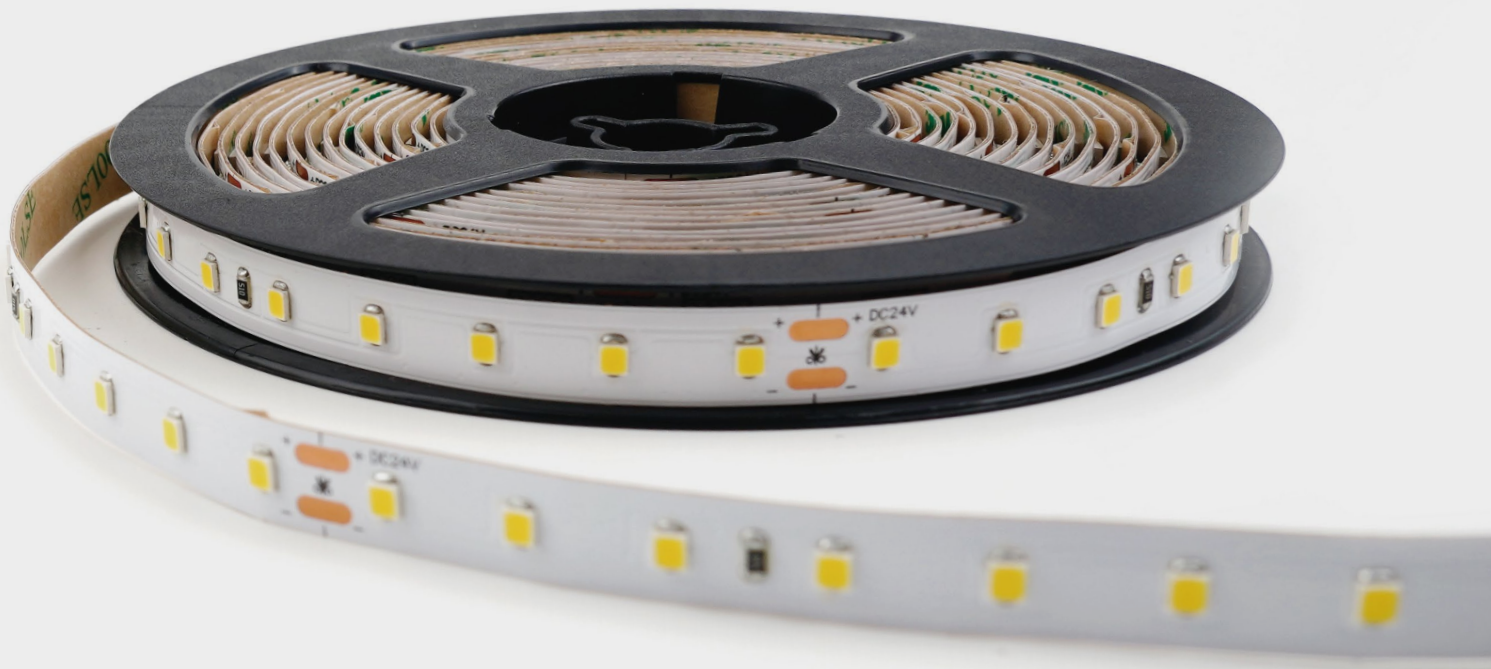




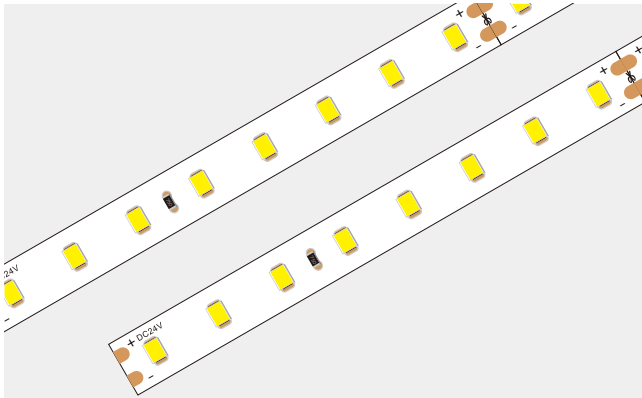
Extra High Efficiency Ra80 LED Strip

SMD 2835 80LEDs



Note: LEDYI may change product specifications and installation guidance without prior notice.

Part Number: LY80-XHS2835 **W27**-W24-Ra80-**IP20** — IP20/IP52/IP65H/IP65/IP67/IP67E/IP68
 W27/W30/W40/W65

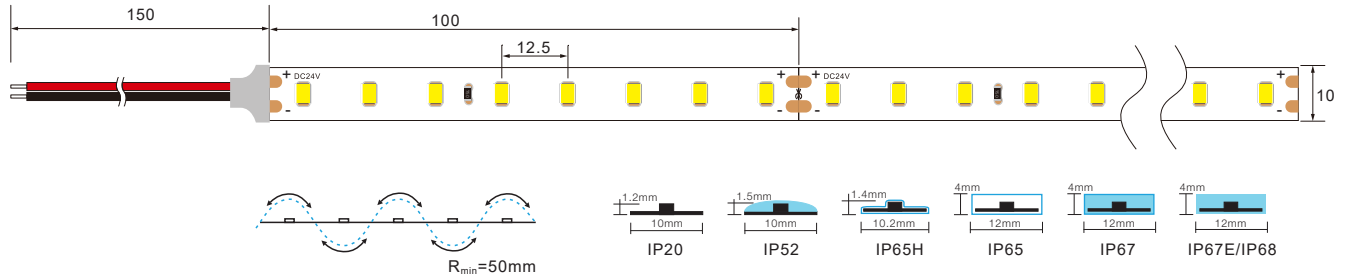


Description

High Efficacy >160LM/W.
 Small cuttable length to support freely configurable in length for precise field installation.
 SDCM≤3 to ensure color consistency.
 It is IP20, which can be upgraded to IP52, IP65, IP67 and IP68 protection.



Dimensions & Waterproof



Physical & Electrical Parameters

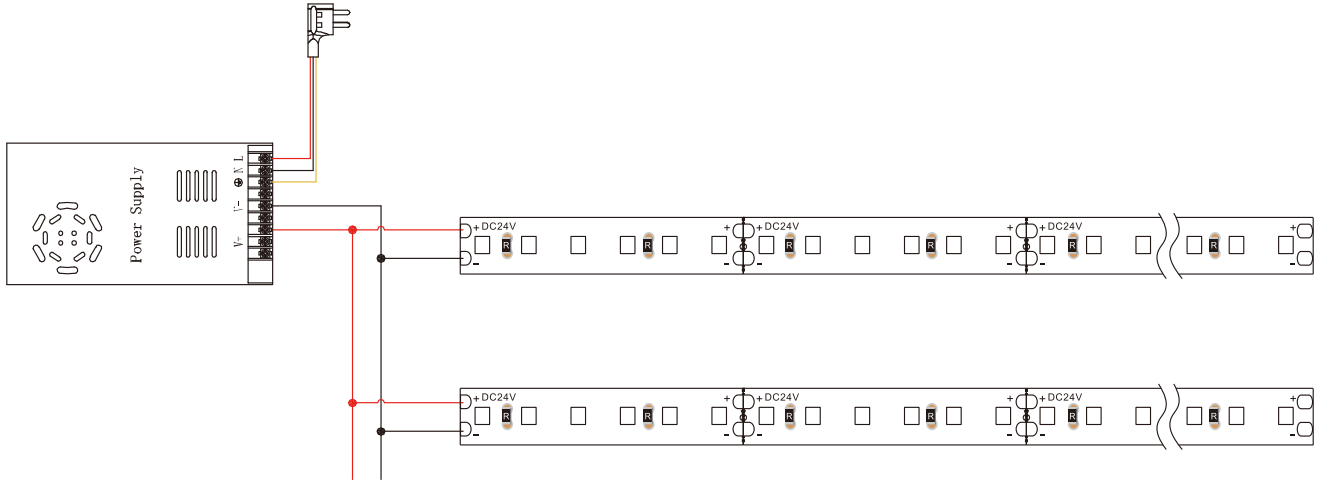
Dimension	5000x10x1.2mm
RA	>80
Lm/w@4000k	170
Beam angle	120°
LED Chips/m	80LEDs

Voltage(V)	DC24V
LONG-life LED	50000h
Working temperature	-25 C ~+45 C
Max.run length(M)	5
CV/CC	CV

Photometric Parameters

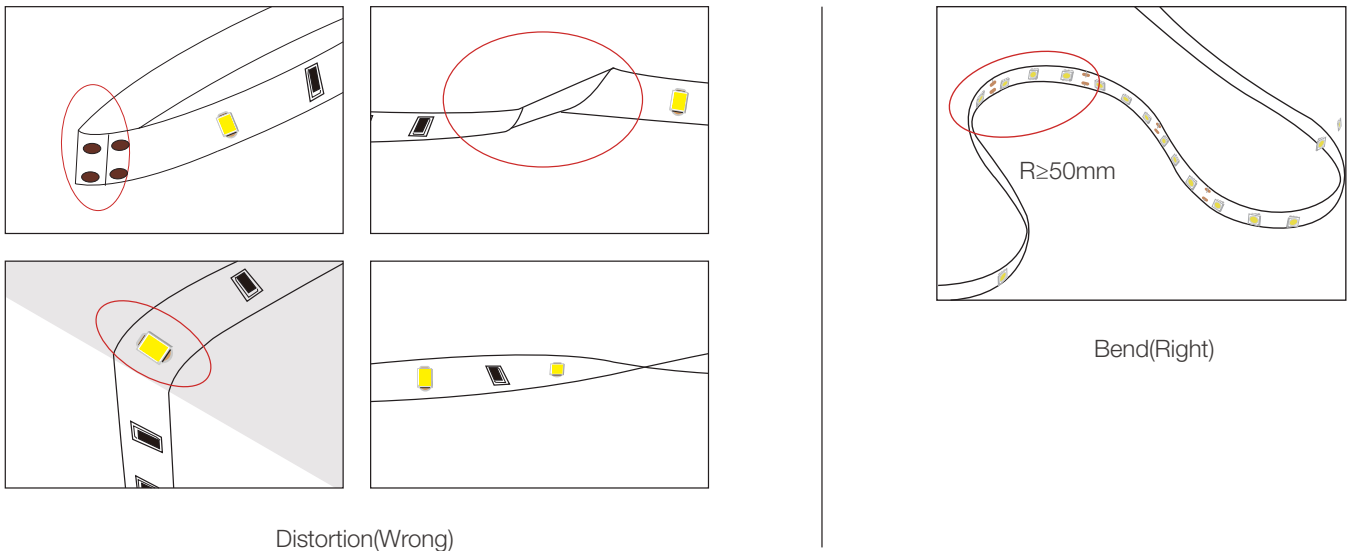
CCT(K)	Power (W/M)	Lumen (LM/M)	Efficiency (LM/W)
2700	12	1917.6	159.8
3000	12	1958.4	163.2
4000	12	2040	170
6500	12	1999.2	166.6

Wiring Diagram



⚠ Cautions

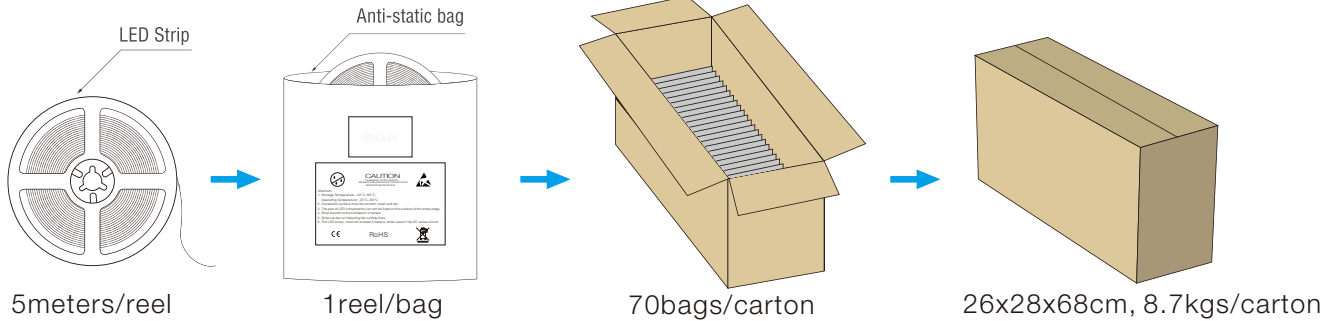
When install the led strip,please note the installation technique.The led strip can be bent,but not distorted,as shown below.



➤ LED strips are low voltage products,you must use the power supply(transformer).Please don,t connect the led strip directly to the AC 110v or AC 220v,otherwise it will burn out the LED strips.

➤ Clean up the installation surface,it will ensure the reliability of the adhesive,The electrical connection process must be operated by a professional person.

Package



Notes

- ※ The unused light should be sealed with the packaging bag to avoid prolonged exposure.
- ※ Please use DC24V isolated constant voltage power supply with ripple voltage less than 5%. Using other types of power supply may damage the light or cause other safety risks.
- ※ In practical application, 20% allowance should be reserved for power supply to ensure the stability of power supply.
- ※ It is recommended that professionals connect the power supply. Do not connect the power supply with live power to avoid electric shock.
- ※ Please confirm whether the voltage of the power supply is consistent with the voltage of the light; Pay attention to the positive and negative poles of the power cord, do not ---connect wrong, so as not to cause product damage;
- ※ When multiple power supplies are used, ensure that the positive poles of the power supply are not connected in parallel. Otherwise, the power supply system may be unstable or ---damaged after long-term operation.
- ※ If the actual application length exceeds the specified length, it will lead to overload, heating and uneven brightness of the light.
- ※ During installation, please do not scratch, twist, or bend the light irregularly. Otherwise, the light may be damaged beyond repair.
- ※ To ensure the life and reliability of the light, please do not over bend the light, which will damage the product itself.
- ※ To protect your eyes, please avoid staring at the glowing surface of the light for a long time.
- ※ Non-professionals are forbidden to install, disassemble and maintain the product.
- ※ Do not use any acid or alkaline adhesive to fix the light (including but not limited to glass glue, etc.)
- ※ Because of the difference in structure, even if the same color temperature value, different sizes of light will look slightly different colors. Please confirm it before use.

Tests showed that methanol and benzenes will have yellowing effects on silicone.

In the newly decorated interior environment, epoxy floor paint, wall paint, wallpaper adhesive, various decoration materials or new furniture, they are likely to release of methanol and benzenes.

It is recommended to remove methanol and benzenes first, or ventilate for a period of time in the newly decorated interior environment before install the silicone neon light, to avoid affecting the silicone body.