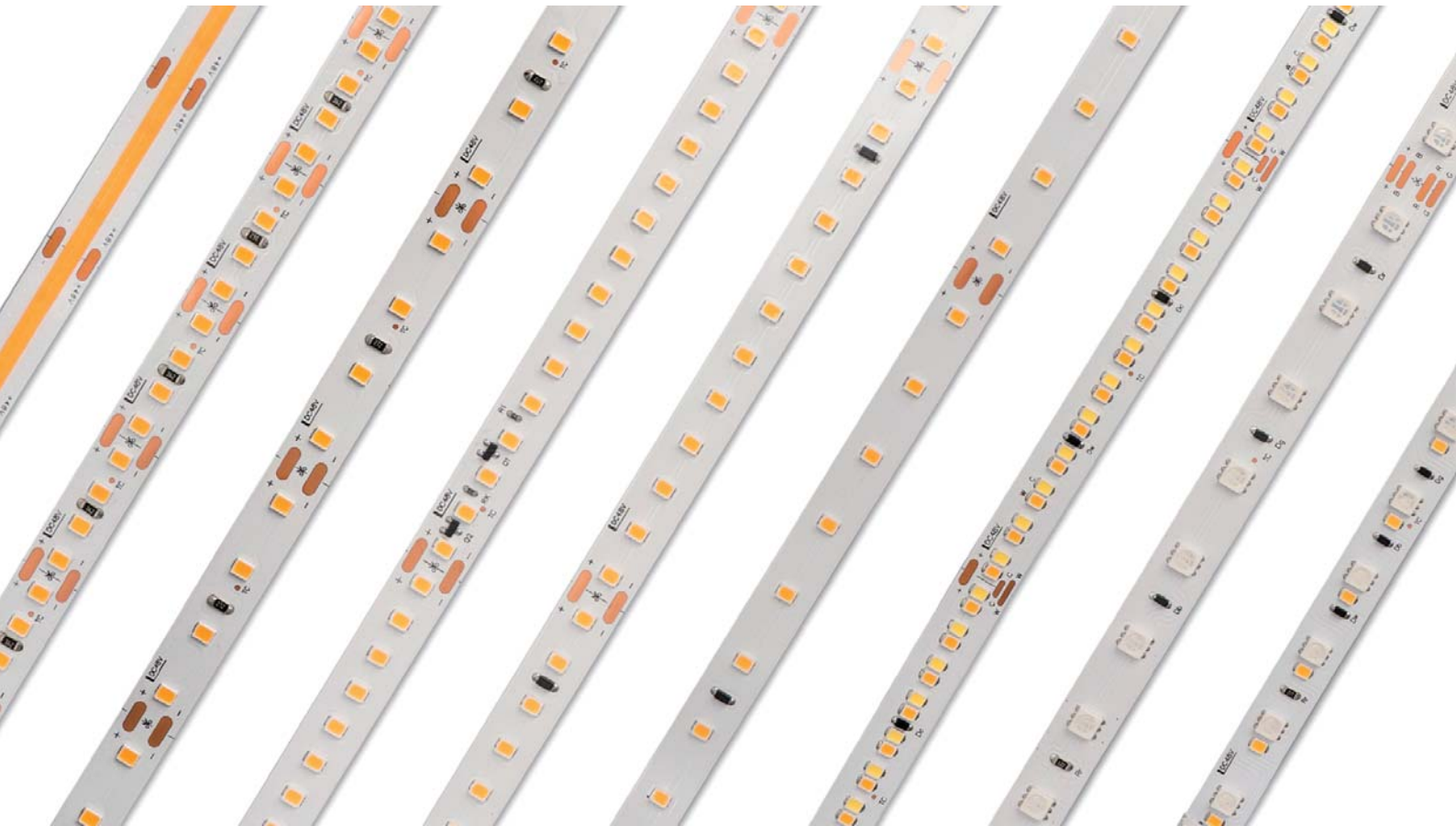




LED STRIP SPECIFICATION

48V SUPER LONG LED STRIP



Note: LEDYI may change product specifications and installation guidance without prior notice.

Product Features:

1. Maximum 60 meter long for one end power input
2. IC constant current, consistent end-to-end brightness
3. Easy wiring & simple power system, reduce installation effort and cost to minimum
4. Static white, Tunable white, RGB, RGBW are available

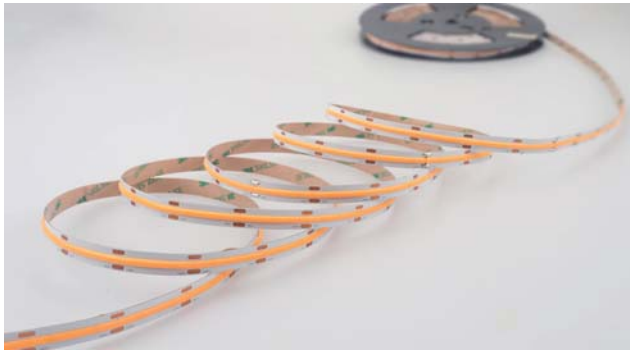
Product list

Page	Part No.	LED Type	LEDs/m	Power (w/m)	PCB (mm)	Unit Length (mm)	Max Length (m)	IP rate
2	LY480-COBW-W48-CV	COB	480	10	10mm (3OZ)	33.3	15	 
3	LY160-S2835W-W48-CV	2835	160	8.8	10mm (3OZ)	25	20	 
4	LY80-S2835W-W48-CV	2835	80	5.8	10mm (3OZ)	50	25	 
5	LY150-S2835W-W48-CC	2835	150	20	10mm (3OZ)	100	10	 
6	LY120-S2835W-W48-CC	2835	120	5.2	12mm (3OZ)	100	50	 
7	LY72-S2835W-W48-CC	2835	72	3.2	10mm (3OZ)	166.7	60	 
8	LY240-S2835TW-W48-CC	2835	240	10.5	12mm (4OZ)	100	40	 
9	LY54-S5050RGB-W48-CC	5050	54	9.4	12mm (4OZ)	166.7	50	 
10	LY108-S5050RGBW-W48-CC	5050	108	12.5	12mm (4OZ)	166.7	40	 

48V SUPER LONG STRIP



Part Number: LY480-COBW27-W48-CV-IP20
 ↳ W27/W30/W40/W65 ↳ IP20/IP65

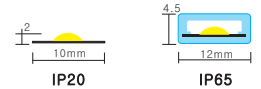
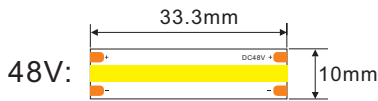
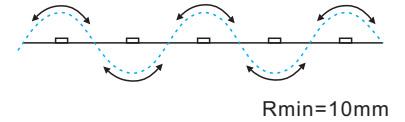
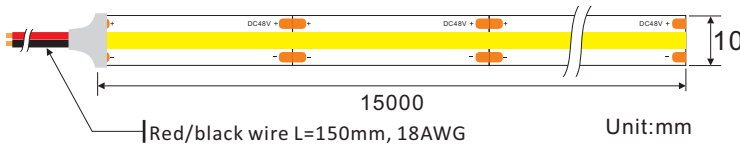


Description

48V, flexible COB LED strip, 10mm 3OZ PCB, Max long run 15meters, with 3M adhesive tape on the back for easy installed.
 Regular CCT: 2700K, 3000K, 4000K, 6500K, other customized CCT such as 2200K, 2400K, 3500K, 5000K are available and NO MOQ limited. 180° beam angle. Very good color reproduction with CRI>90.



Dimensions & Waterproof



Product Specification

Dimension	15000x10x2mm
Chip Type	COB
Chips/m	480pcs
Step LEDs	16pcs
Step Length	33.3mm
Max run length	15meters

Voltage(V)	DC48V
Power(W/m)	10W(1m)/122W(15m)
PCB Width	10mm(3oz)
Beam Angle	180°
Operation Temperature	-20°C~50°C
CC / CV	Constant Voltage

Product Photometrics (Data base on CRI>90)

CCT (K)	Lumen (lm/m)	Efficacy (lm/w)	CRI	R9	TM-30-15	
					Rf (Fidelity)	Rg (Gamut)
2700K±100	830.60	83.06	91	47	91	98
3000K±150	928.90	92.89	91	49	91	99
4000K±200	1049.00	104.90	93	62	90	97
6500K±300	953.70	95.37	92	63	91	98

48V SUPER LONG STRIP



Part Number: LY160-S2835W27-W48-CV-IP20
 W27/W30/W40/W65
 IP20/IP65

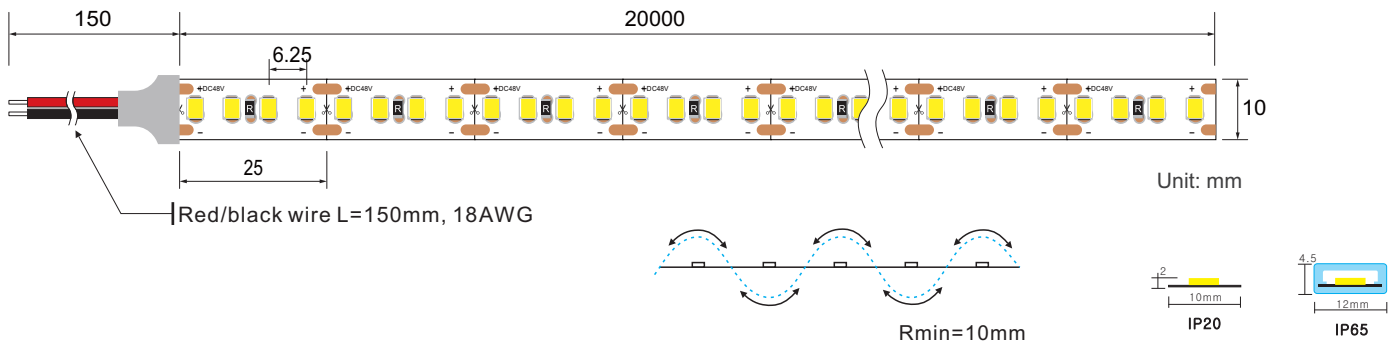


Description

48V, flexible LED strip, 10mm 3OZ PCB, Max long run 20meters, with 3M adhesive tape on the back for easy installed.
 Regular CCT: 2700K, 3000K, 4000K, 6500K, other customized CCT such as 2200K, 2400K, 3500K, 5000K are available and NO MOQ limited. 180° beam angle. Very good color reproduction with CRI>90.



Dimensions & Waterproof



Product Specification

Dimension	20000x10x2mm
Chip Type	SMD2835
LEDs/m	160LEDs/m
Step LEDs	4LEDs
Step Length	25mm
Max run length	20meters

Voltage(V)	DC48V
Power(W/m)	8.8W
PCB Width	10mm(3oz)
Beam Angle	120°
Operation Temperature	-20°C~50°C
CC / CV	Constant Voltage

Product Photometrics (Data base on CRI>90)

CCT (K)	Lumen (lm/m)	Efficacy (lm/w)	CRI	R9	TM-30-15	
					Rf (Fidelity)	Rg (Gamut)
2700K±100	871	99	91	47	91	98
3000K±150	792	90	92	59	92	99
4000K±200	977	111	93	62	93	97
6500K±300	968	110	92	63	91	98

Part Number: LY80-S2835 **W27**-W48-CV-**IP20**
 ↳ W27/W30/W40/W65 ↳ IP20/IP65

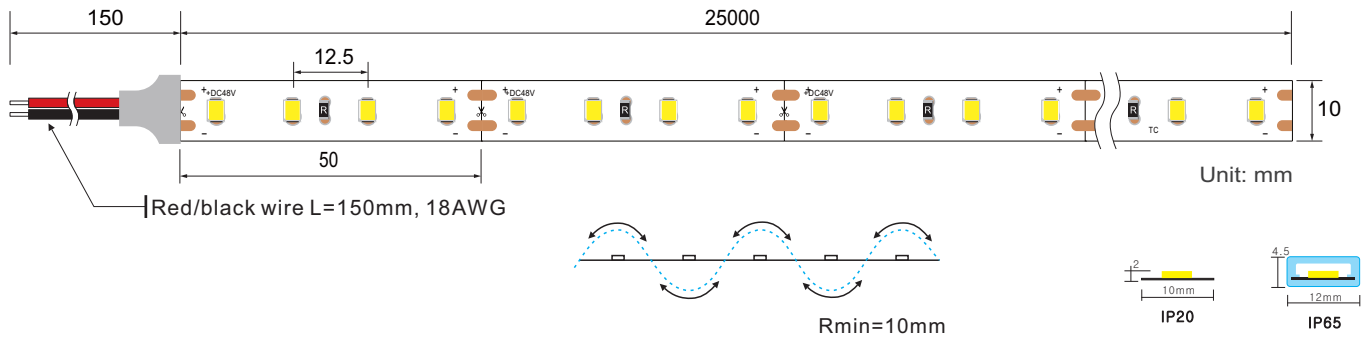


Description

48V, flexible LED strip, 10mm 3OZ PCB, Max long run 25meters, with 3M adhesive tape on the back for easy installed.
 Regular CCT: 2700K, 3000K, 4000K, 6500K, other customized CCT such as 2200K, 2400K, 3500K, 5000K are available and NO MOQ limited. 180° beam angle. Very good color reproduction with CRI>90.



Dimensions & Waterproof



Product Specification

Dimension	25000x10x2mm
Chip Type	SMD2835
LEDs/m	80LEDs/m
Step LEDs	4LEDs
Step Length	50mm
Max run length	25meters

Voltage(V)	DC48V
Power(W/m)	5.8W
PCB Width	10mm(3oz)
Beam Angle	120°
Operation Temperature	-20°C~50°C
CC / CV	Constant Voltage

Product Photometrics (Data base on CRI>90)

CCT (K)	Lumen (lm/m)	Efficacy (lm/w)	CRI	R9	TM-30-15	
					Rf (Fidelity)	Rg (Gamut)
2700K±100	577.73	99.61	91.8	71	93	99
3000K±150	532.38	91.79	90.1	77	92	99
4000K±200	646.81	111.52	91.7	78	93	97
6500K±300	633.94	109.30	92.8	88	94	98

48V SUPER LONG STRIP



Part Number: LY150-S2835W27-W48-CC-IP20
 ↳ W27/W30/W40/W65 ↳ IP20/IP65

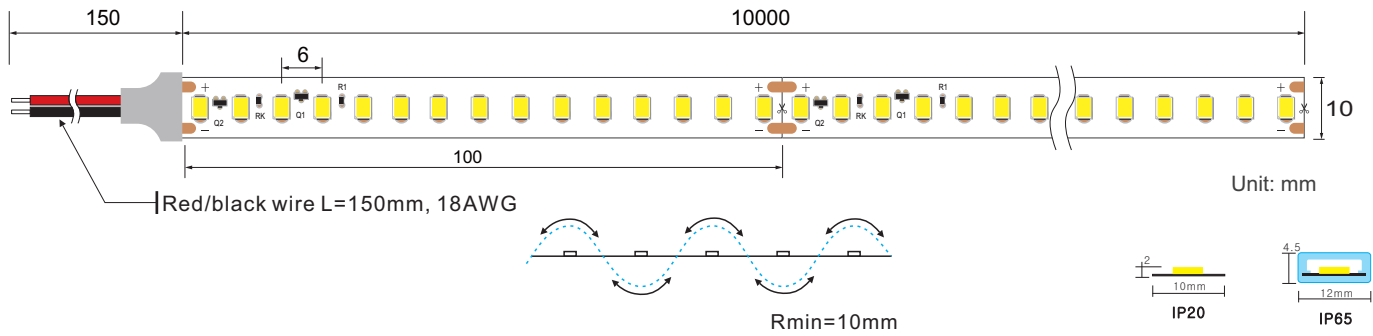


Description

48V, flexible LED strip, 10mm 3OZ PCB, Max long run 10meters, with 3M adhesive tape on the back for easy installed.
 Regular CCT: 2700K, 3000K, 4000K, 6500K, other customized CCT such as 2200K, 2400K, 3500K, 5000K are available and NO MOQ limited. 180° beam angle. Very good color reproduction with CRI>90.



Dimensions & Waterproof



Product Specification

Dimension	10000x10x2mm
Chip Type	SMD2835
LEDs/m	150LEDs/m
Step LEDs	15LEDs
Step Length	100mm
Max run length	10meters

Voltage(V)	DC48V
Power(W/m)	20W
PCB Width	10mm(3oz)
Beam Angle	120°
Operation Temperature	-20°C~50°C
CC / CV	Constant Current

Product Photometrics (Data base on CRI>90)

CCT (K)	Lumen (lm/m)	Efficacy (lm/w)	CRI	R9	TM-30-15	
					Rf (Fidelity)	Rg (Gamut)
2700K±100	2198.2	109.91	90.2	64	93	99
3000K±150	2114.2	105.71	92.2	72	91	98
4000K±200	2301.2	115.06	91.7	77	92	97
6500K±300	2233.0	111.65	90.2	79	92	97

48V SUPER LONG STRIP



Part Number: LY120-S2835W27-W48-CC-IP20
 ↳ W27/W30/W40/W65 ↳ IP20/IP65

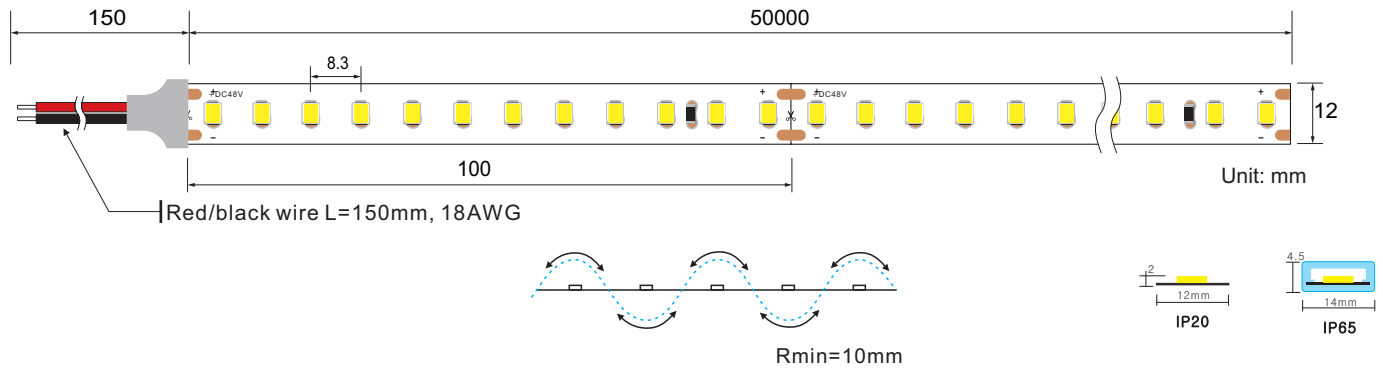


Description

48V, flexible LED strip, 12mm 3OZ PCB, Max long run 50meters, with 3M adhesive tape on the back for easy installed.
 Regular CCT: 2700K, 3000K, 4000K, 6500K, other customized CCT such as 2200K, 2400K, 3500K, 5000K are available and NO MOQ limited. 180° beam angle. Very good color reproduction with CRI>90.



Dimensions & Waterproof



Product Specification

Dimension	50000x12x2mm
Chip Type	SMD2835
LEDs/m	120LEDs/m
Step LEDs	12LEDs
Step Length	100mm
Max run length	50meters

Voltage(V)	DC48V
Power(W/m)	5.2W
PCB Width	12mm(3oz)
Beam Angle	120°
Operation Temperature	-20°C~50°C
CC / CV	Constant Current

Product Photometrics (Data base on CRI>90)

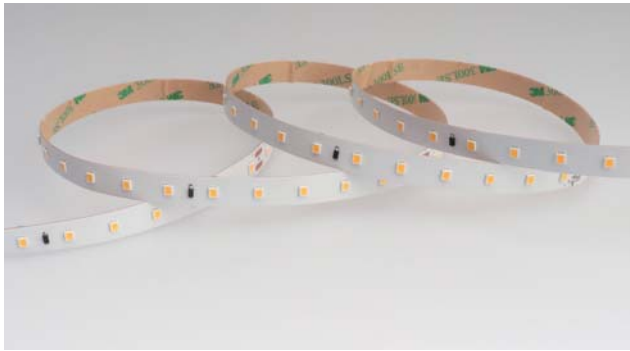
CCT (K)	Lumen (lm/m)	Efficacy (lm/w)	CRI	R9	TM-30-15	
					Rf (Fidelity)	Rg (Gamut)
2700K±100	537.4	103.34	91.7	69	91	97
3000K±150	540.8	104.00	93.1	75	92	98
4000K±200	580.3	111.60	93.3	85	92	99
6500K±300	552.3	106.21	91.4	87	93	98

48V SUPER LONG STRIP



Part Number: LY72-S2835W27-W48-CC-IP20

→ IP20/IP65
→ W27/W30/W40/W65



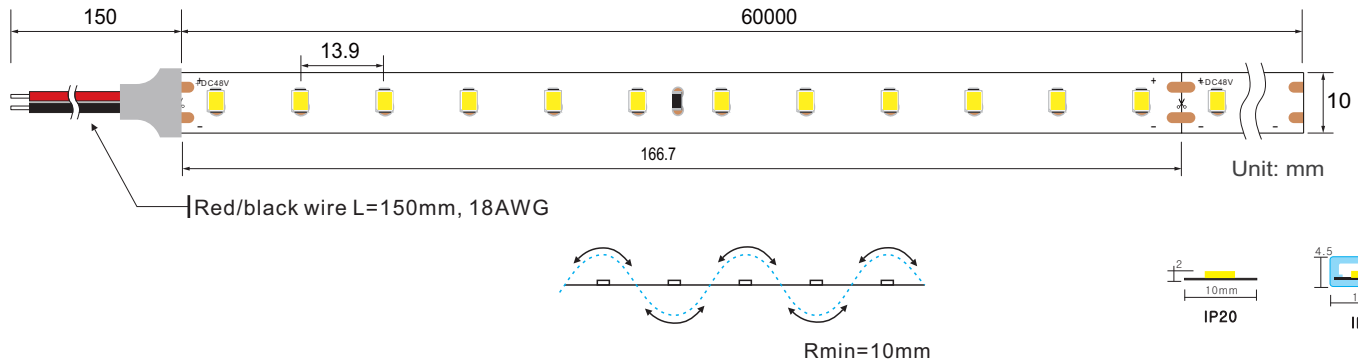
Description

48V, flexible LED strip, 10mm 4OZ PCB, Max long run 60meters, with 3M adhesive tape on the back for easy installed.

Regular CCT: 2700K, 3000K, 4000K, 6500K, other customized CCT such as 2200K, 2400K, 3500K, 5000K are available and NO MOQ limited. 180° beam angle. Very good color reproduction with CRI>90.



Dimensions & Waterproof



Product Specification

Dimension	60000x10x2mm
Chip Type	SMD2835
LEDs/m	72LEDs/m
Step LEDs	12LEDs
Step Length	166.7mm
Max run length	60meters

Voltage(V)	DC48V
Power(W/m)	3.2W
PCB Width	10mm(3oz)
Beam Angle	120°
Operation Temperature	-20°C~50°C
CC / CV	Constant Current

Product Photometrics (Data base on CRI>90)

CCT (K)	Lumen (lm/m)	Efficacy (lm/w)	CRI	R9	TM-30-15	
					Rf (Fidelity)	Rg (Gamut)
2700K±100	326.7	102.10	91.6	69	92	97
3000K±150	338.2	105.68	93.3	76	93	99
4000K±200	353.3	110.42	92.8	82	92	99
6500K±300	340.1	106.27	91.3	87	91	97

48V SUPER LONG STRIP



Part Number: LY240-S2835TW3065-W48-CC-IP20
 ↳ W2765/W3065/W4065 ↳ IP20/IP65

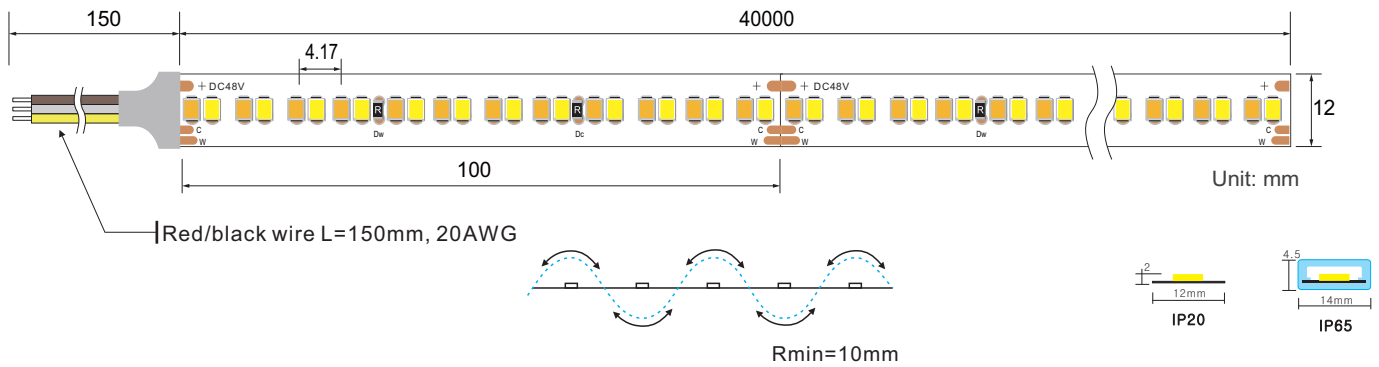


Description

48V, flexible LED strip, 12mm 4OZ PCB, Max long run 40meters, with 3M adhesive tape on the back for easy installed.
 Regular CCT: 2700K, 3000K, 4000K, 6500K, other customized CCT such as 2200K, 2400K, 3500K, 5000K are available and NO MOQ limited. 180° beam angle. Very good color reproduction with CRI>90.



Dimensions & Waterproof



Product Specification

Dimension	40000x12x2mm
Chip Type	SMD2835
LEDs/m	240LEDs/m
Step LEDs	24LEDs
Step Length	100mm
Max run length	40meters

Voltage(V)	DC48V
Power(W/m)	10.5W
PCB Width	12mm(4oz)
Beam Angle	120°
Operation Temperature	-20°C~50°C
CC / CV	Constant Current

Product Photometrics (Data base on CRI>90)

CCT (K)	Power (w/m)	Efficacy (lm/w)	Lumen (lm/m)	CRI	R9	TM-30-15	
						Rf (Fidelity)	Rg (Gamut)
3000K±100	5.23	99.12	525.33	90.6	79	92	97
6500K±300	5.23	106.82	558.66	91.1	86	93	99
3000K+6500K	10.5	102.64	1077.72	9.32	93	94	98

48V SUPER LONG STRIP



Part Number: LY54-S5050RGB-W48-CC-IP20

IP20/IP65

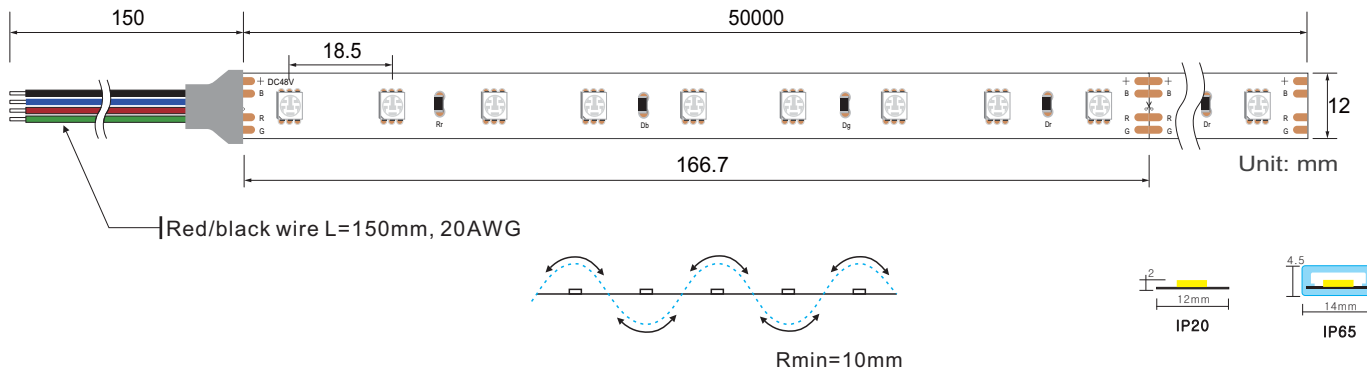


Description

48V, flexible LED strip, 12mm 4OZ PCB, Max long run 50meters, with 3M adhesive tape on the back for easy installed. NO MOQ limited, 180° beam angle.



Dimensions & Waterproof



Product Specification

Dimension	50000x12x2mm
Chip Type	SMD5050
LEDs/m	54LEDs/m
Step LEDs	9LEDs
Step Length	166.7mm
Max run length	50meters

Voltage(V)	DC48V
Power(W/m)	9.4W
PCB Width	12mm(4oz)
Beam Angle	120°
Operation Temperature	-20°C~50°C
CC / CV	Constant Current

Product Photometrics (Data base on CRI>90)

Color	Peak Wavelength (nm)	Dominant Wavelength (nm)	Lumen (lm/m)	Power (w/m)	Efficacy (lm/w)
Red	630.1	622.8	70.46	3.14	22.44
Green	520.3	528.1	294.84	3.12	94.50
Blue	464.6	469.0	61.43	3.15	19.50
RGB	465.6	483.3	427.23	9.4	45.45

48V SUPER LONG STRIP



Part Number: LY108-S5050RGBW-W48-CC-IP20
 ↳ IP20/IP65

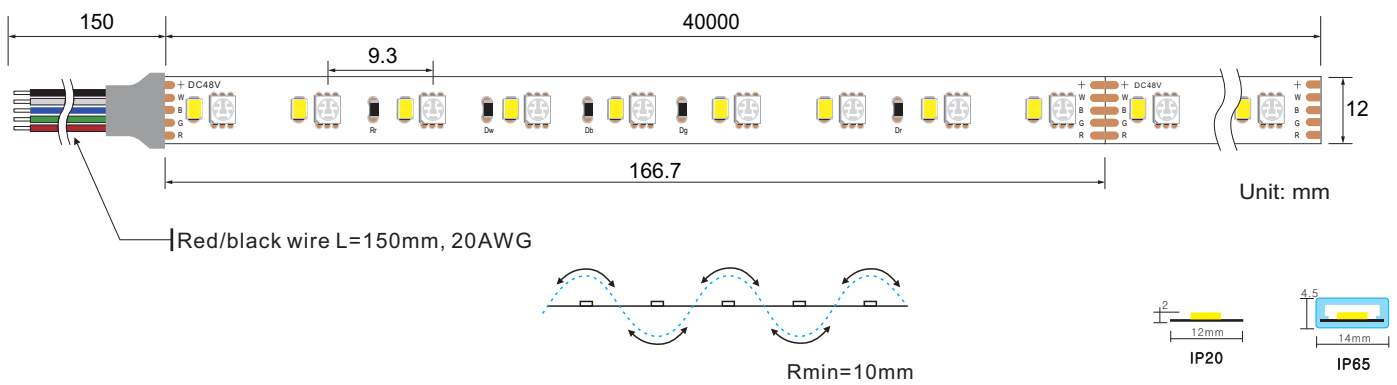


Description

48V, flexible LED strip, 12mm 4OZ PCB, Max long run 40meters, with 3M adhesive tape on the back for easy installed.
 NO MOQ limited, 180° beam angle.
 Very good color reproduction with CRI>90.



Dimensions & Waterproof



Product Specification

Dimension	40000x12x2mm
Chip Type	SMD5050 & SMD2835
LEDs/m	108LEDs/m
Step LEDs	18LEDs
Step Length	166.7mm
Max run length	40meters

Voltage(V)	DC48V
Power(W/m)	12.5W
PCB Width	12mm(4oz)
Beam Angle	120°
Operation Temperature	-20°C~50°C
CC / CV	Constant Current

Product Photometrics (Data base on CRI>90)

Color	CRI	Dominant Wavelength (nm)	Lumen (lm/m)	Power (w/m)	Efficacy (lm/w)
Red	N/A	622.6	74.74	3.17	23.52
Green	N/A	528.0	293.7	3.09	94.86
Blue	N/A	468.9	58.83	3.09	47.99
2700K±100	90.7	583.5	235.9	3.14	75.14
RGB	61.9	483.3	421.5	9.36	45.04
RGB+2700K	60.9	483.9	655.5	12.5	52.44

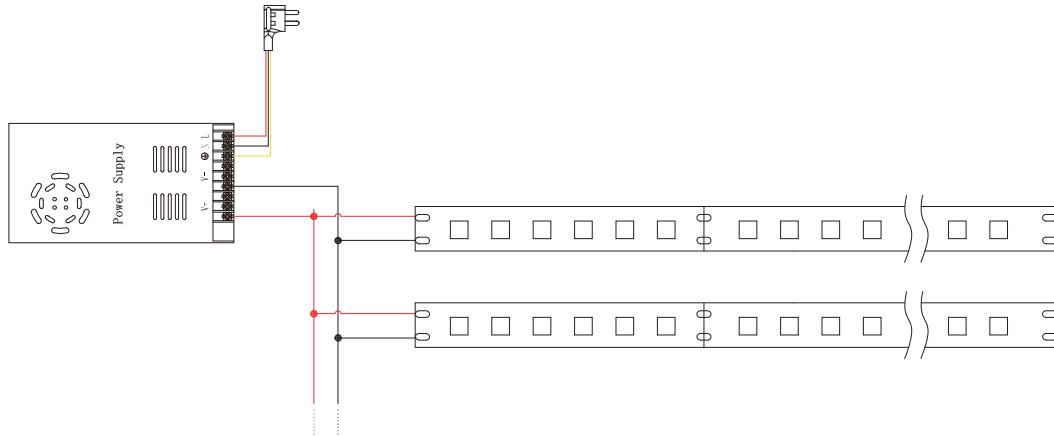
Product Photometrics (Data base on CRI>90)

Color	CRI	Dominant Wavelength (nm)	Lumen (lm/m)	Power (w/m)	Efficacy (lm/w)
Red	N/A	623.3	74.07	3.16	23.44
Green	N/A	528.2	294.89	3.11	94.82
Blue	N/A	468.9	58.08	3.16	18.38
3000K±150	93.2	583.8	242.04	3.12	77.58
RGB	62.4	483.3	417.07	9.4	44.37
RGB+3000K	62.3	483.6	655.37	12.5	52.43

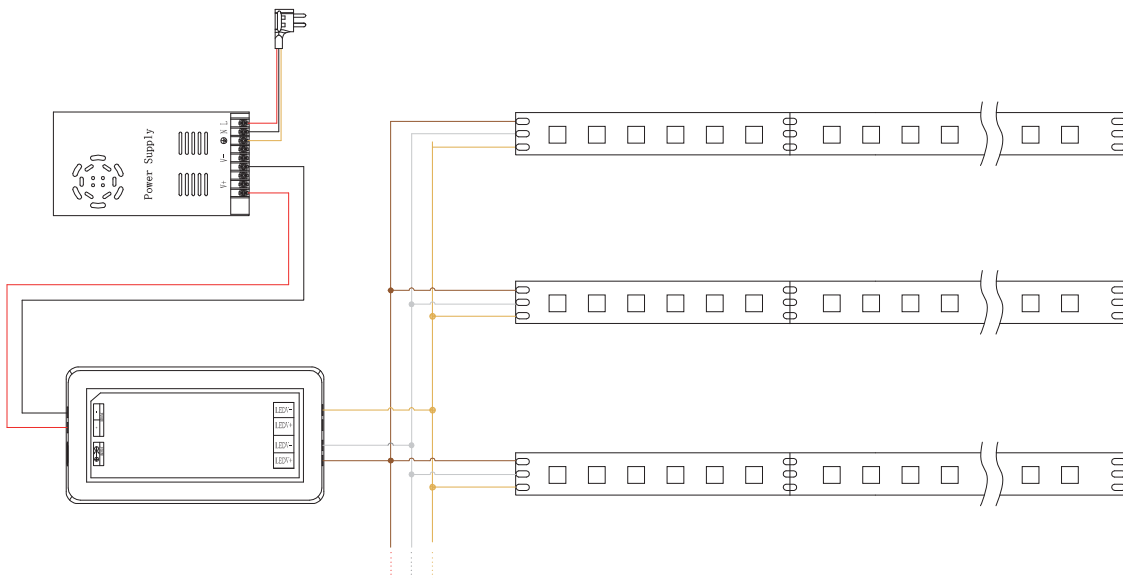
Color	CRI	Dominant Wavelength (nm)	Lumen (lm/m)	Power (w/m)	Efficacy (lm/w)
Red	N/A	623.2	70.92	3.10	22.88
Green	N/A	528.2	298.61	3.14	95.1
Blue	N/A	468.8	56.79	3.09	18.38
4000K±200	92.9	579.0	778.9	3.11	82.87
RGB	64.2	483.8	422.71	9.4	44.97
RGB+4000K	68.8	484.8	680.12	12.5	54.41

Color	CRI	Dominant Wavelength (nm)	Lumen (lm/m)	Power (w/m)	Efficacy (lm/w)
Red	N/A	623.3	72.99	3.11	23.47
Green	N/A	528.1	297.56	3.10	95.99
Blue	N/A	468.7	59.97	3.18	18.86
6500K±300	90.8	489.8	248.8	3.12	79.77
RGB	62.9	483.0	425.8	9.4	45.30
RGB+6500K	71.6	483.6	674.7	12.5	53.98

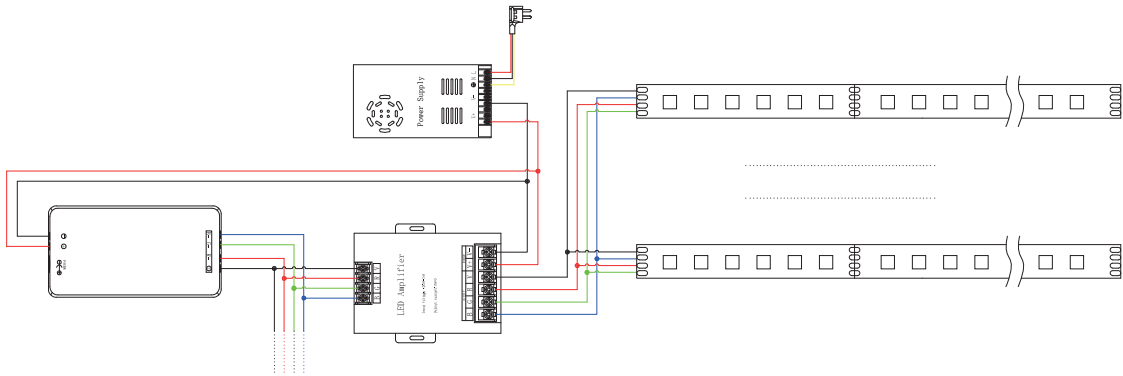
Single Color Connection Diagram



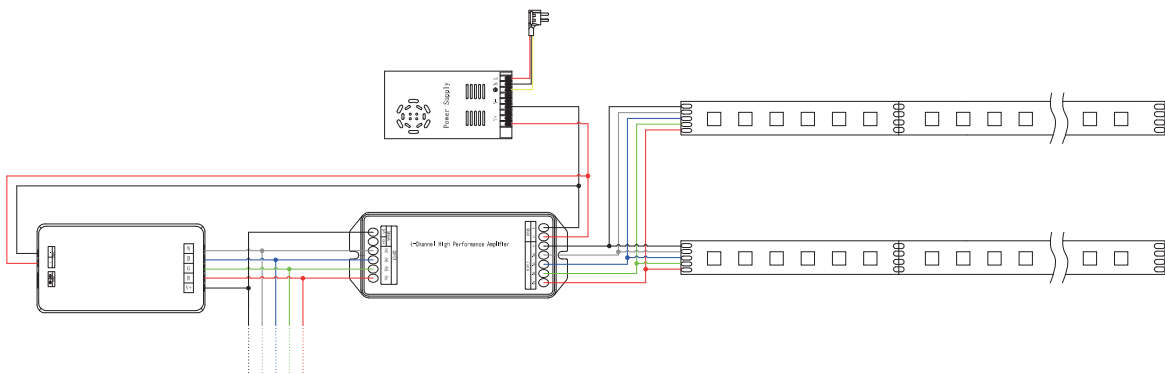
Tunable white Connection Diagram



RGB Connection Diagram

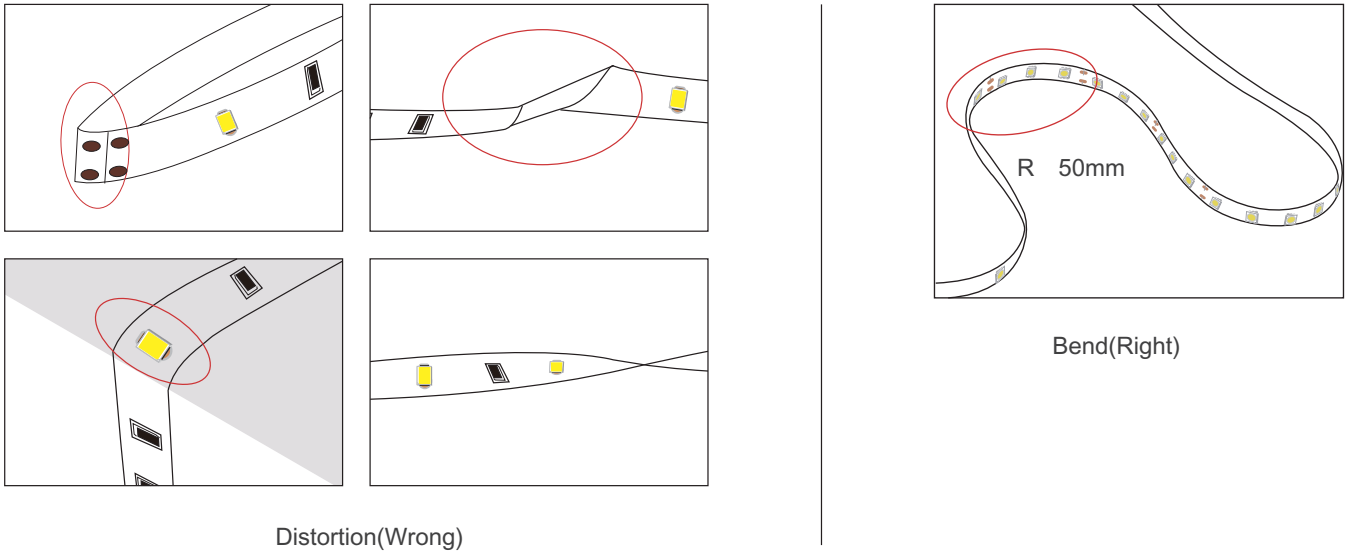


RGBW Connection Diagram



Cautions

When install the led strip,please note the installation technique.The led strip can be bent,but not distorted,as shown below.



Distortion(Wrong)

Bend(Right)

- ▶ LED strips are low voltage products,you must use the power supply(transformer).Please don,t connect the led strip directly to the AC 110v or AC 220v,otherwise it will burn out the LED strips.
- ▶ Clean up the installation surface,it will ensure the reliability of the adhesive,The electrical connection process must be operated by a professional person.

Packing Information(Data base on IP20)

