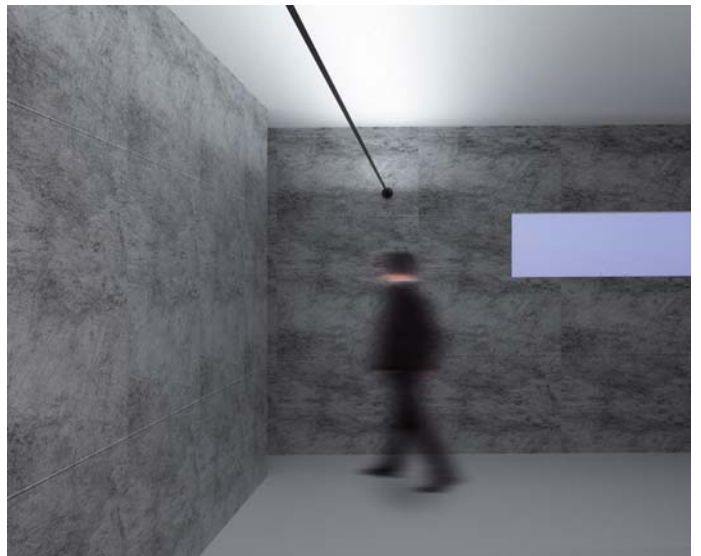


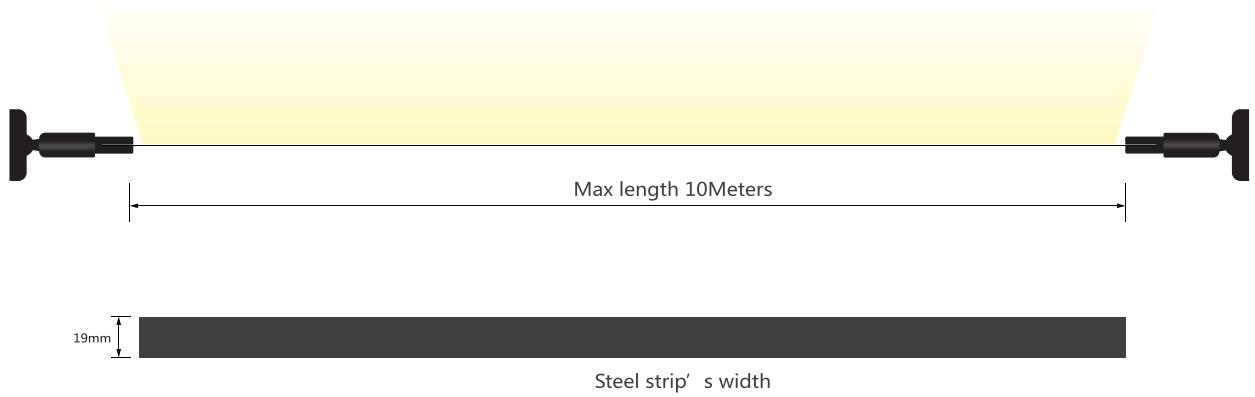
# SKYLINE LINEAR LIGHT

Model: LY-SL



Application



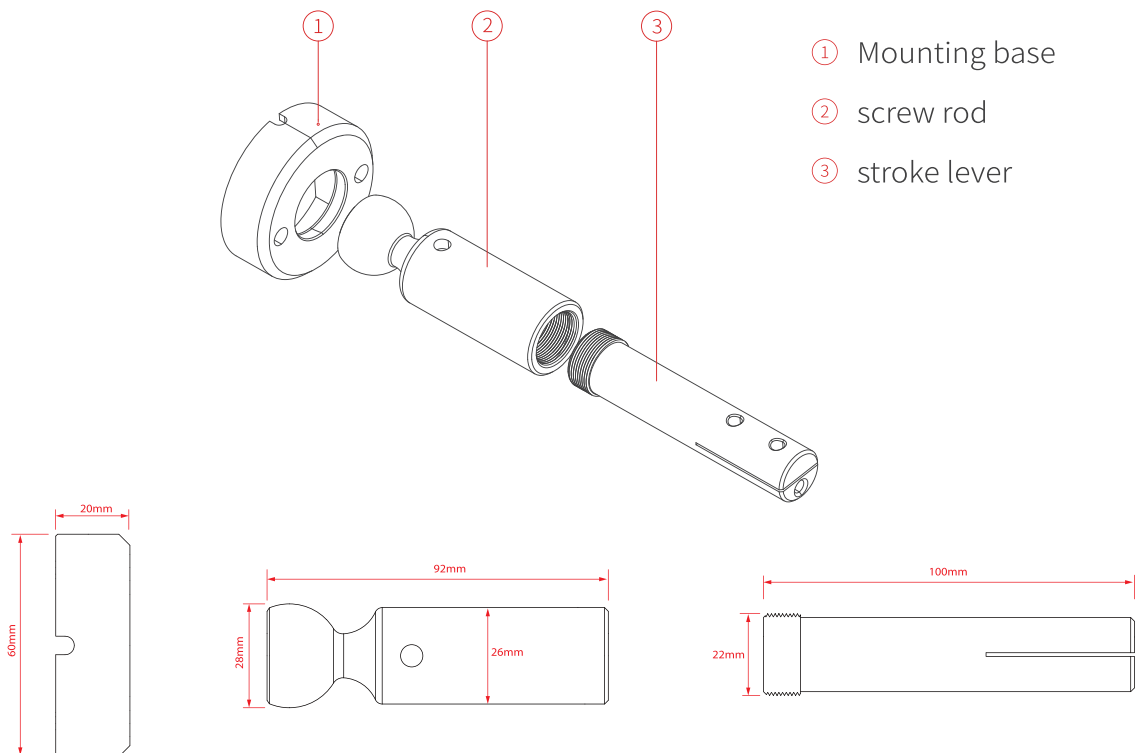


Note:  
Max length 10 Meters,  
can be arbitrarily cut,  
recommended light source



LY120-CS2835WW-W24

## Dimension drawing



Bill of material

optional accessories



① Plastic Steel Strip  
LY-SL-AL10



② Steel Strip  
LY-SL-BL10

Kit  
LY-SL-0001



scissors



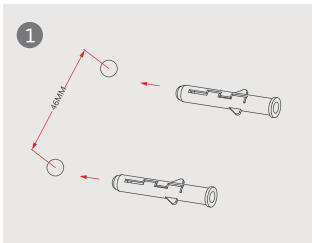
gloves



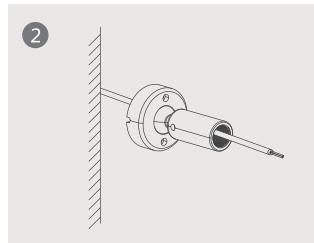
optional accessories  
LY-SL

- ③ stroke lever    ④ screw rod    ⑤ Mounting base    ⑥ Connection terminal
- ⑦ Screw    ⑧ Expansion Plug    ⑨ rocket screwdrivers

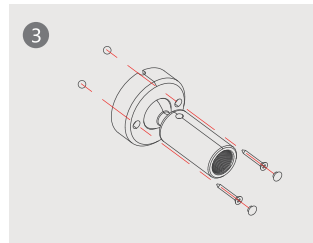
Installation procedure:



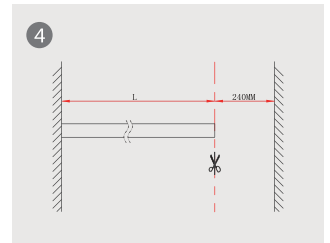
On the mounting surface drill two  $\varnothing 6\text{mm}$  holes with a distance of 42mm, and install a plastic expansion plug



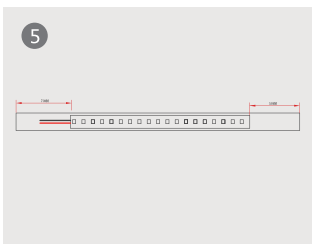
The input wire passed through the bottom box and the screw rod



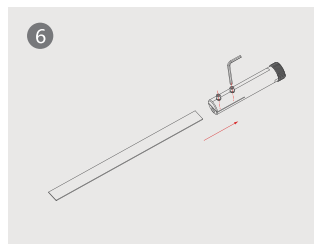
Pass the screw rod through the base and fix the base onto the mounting surface



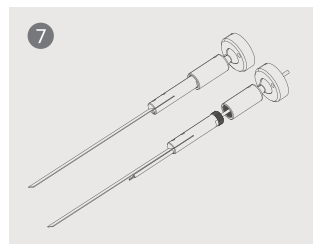
Measure the distance between two installation points, the length of the steel strip is 240mm less than the measured length.



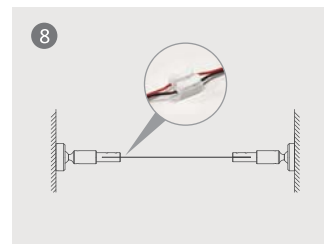
Paste the LED on the steel strip, reserve 70mm at the beginning end and 50mm at the end;



Lock the steel strip tightly with the paper travel rod

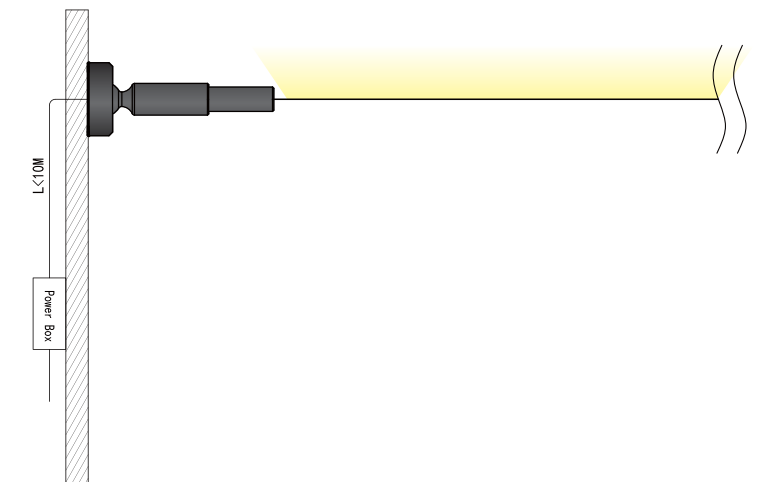
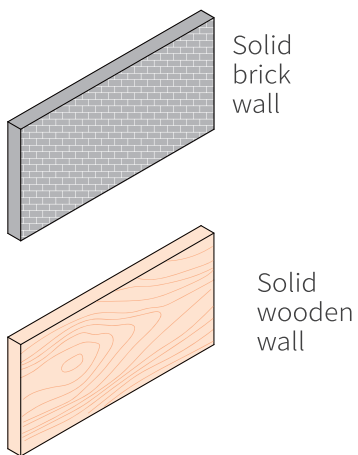
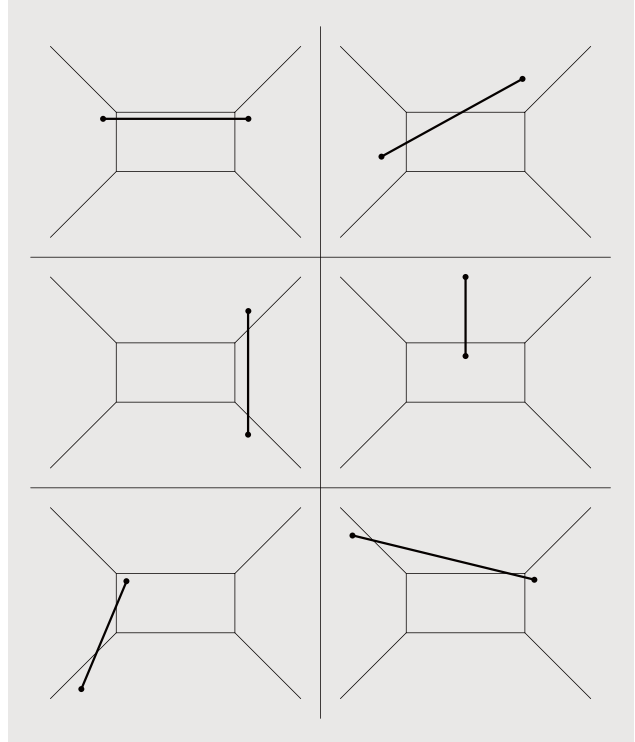
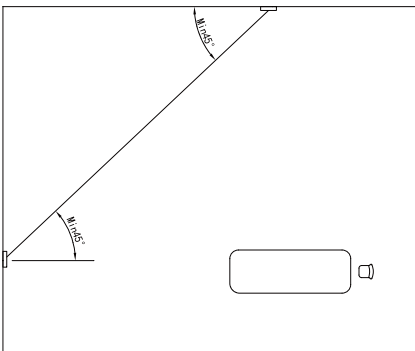
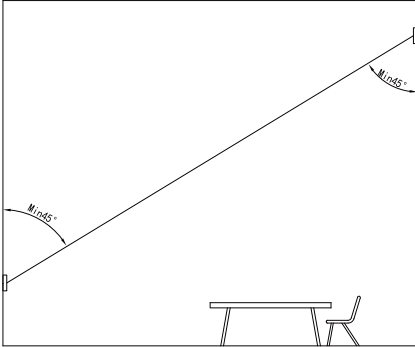


Firstly fix the stroke rod at the outlet end, then fix the stroke rod at the other end



Plug the quick plug terminal on both sides and make it through by pressing tightly.

## Installation guideline

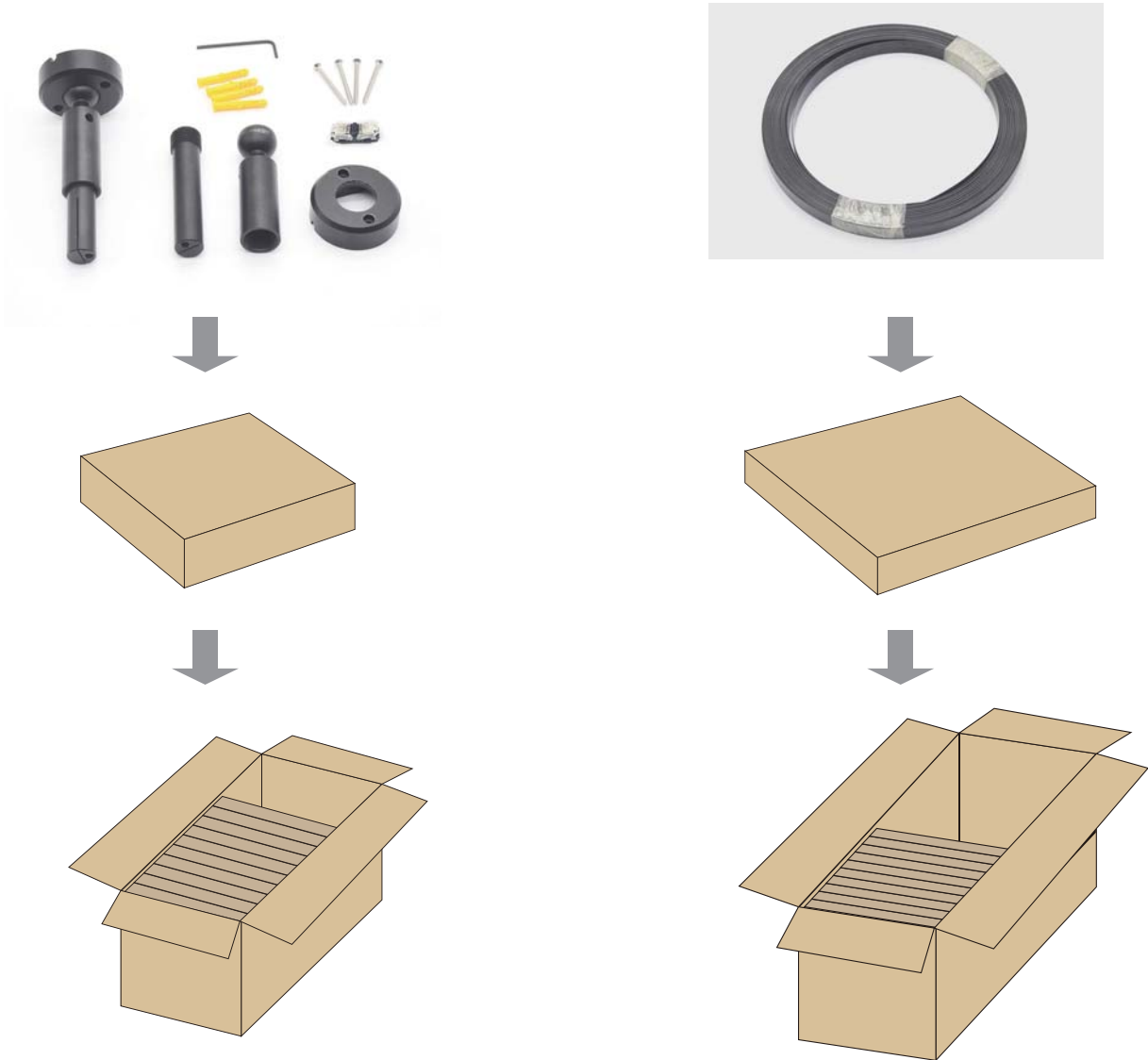


**Note:**

1. The installation surface of this product must be solid wood wall, concrete wall, brick wall, etc. Please do not install it on the surface of plaster wall or hollow wall;

2. When cutting and installing the steel strip, please wear goggles and protective gloves. The steel strip is elastic, disassemble the steel strip when it is safe.

Packing List



parts	Specification of outer box	Packing type	Packing quantity	Gross weight of packing
Basic accessories LY-SL	L65.5xW21.5xH20.5cm	Carton + CartonBOX	20pcs	9kg
Steel Strip LY-SL-BL10	L37.5xW26.5xH26.5cm	Carton + CartonBOX	15pcs	5.9kg
Plastic Steel Strip LY-SL-AL10	L37.5xW26.5xH26.5cm	Carton + CartonBOX	15pcs	13.7kg



## LEDYI LIGHTING CO., LIMITED



7th Floor, Skyworth Digital Building, Songbai Road, Shiyan, Bao'an District, Shenzhen



**OUR EMAIL**  
sales@ledyi.com



**OUR PHONE**  
Tel: +86 0755 2302 5890



**OUR WEBSITE**  
www.ledyi.com