



LED STRIP SPECIFICATION

5050SMD 96LEDs LED STRIP



Note: LEDYI may change product specifications and installation guidance without prior notice.

5050SMD 96LEDs LED STRIP



Part Number: LY96-S5050W30-W24-IP20 → IP20/IP52/IP65H/IP65/IP67/IP67E/IP68

→ W21/W24/W27/W30/W40/W60

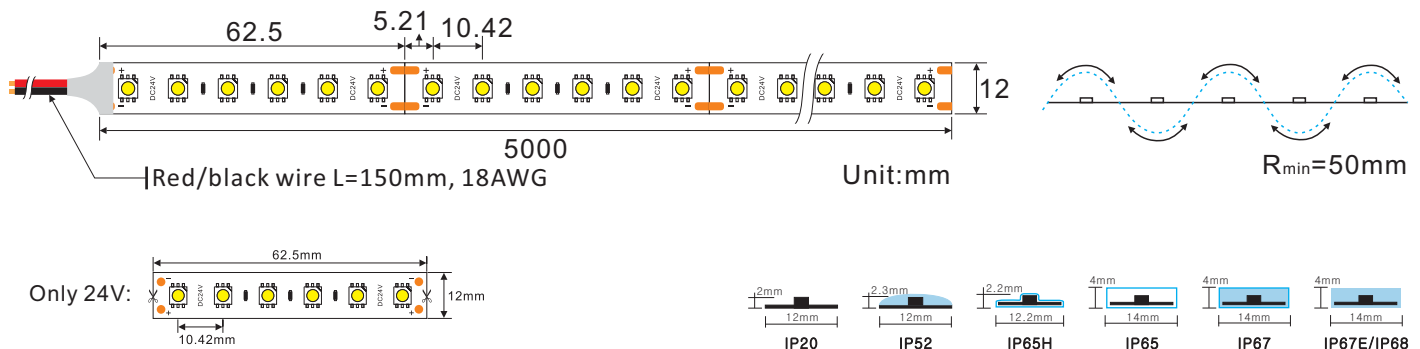


Description

24V, flexible LED strip (6LED/step=62.5mm(24V)) with 3M adhesive tape on the back for easy installed. 1663.03lm/m at 17.28W/m. 120° beam angle. Very good color reproduction with CRI>90. "One Bin Only" within 3 MacAdam guarantees constant color temperature and high light quality at a lifetime of 54,000 hours (L₇₀). Double-layer FPC(2Oz) for good heat dissipation.



Dimensions & Waterproof



Product Specification

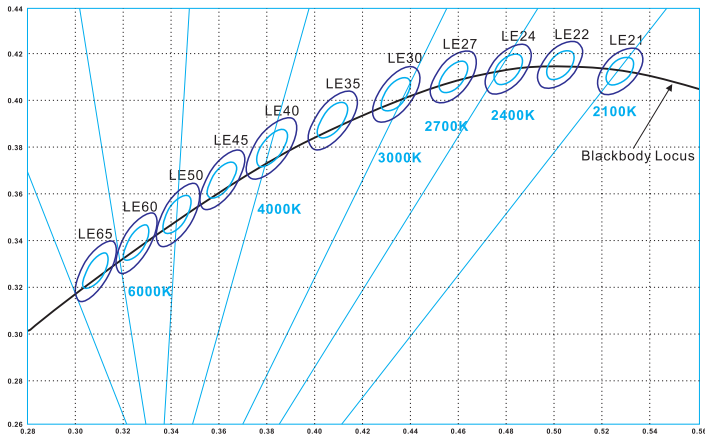
Dimension	5000x12x2mm
Chip Type	5050SMD
Chip Density	96LEDs/m
Step LEDs	6LEDs(24V)
Step Length	62.5mm(24V)

Voltage(V)	DC24V
Current(A/m)	0.72A
Power(W/m)	17.28W
Beam Angle	120°
Operation Temperature	-20°C~50°C

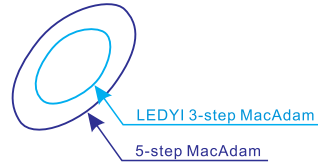
Product Photometrics (Data base on IP20 CRI>90)

CCT (K)	Lumen (lm/m)	Efficacy (lm/w)	CRI	R9	TM-30-15	
					Rf (Fidelity)	Rg (Gamut)
2100±100	1025.40	59.34	96.04	93.90	95.00	100.85
2400±100	1116.46	64.61	96.60	96.80	91.94	106.82
2700±100	1281.66	74.17	98.84	93.94	93.96	100.85
3000±100	1327.80	76.84	96.92	92.96	94.86	103.90
4000±200	1495.41	86.54	93.99	92.00	93.96	101.97
6000±300	1663.03	96.24	93.18	94.85	91.00	103.00

Bining



Graphic Description:



For all your order

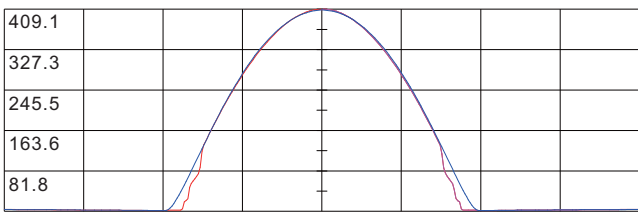
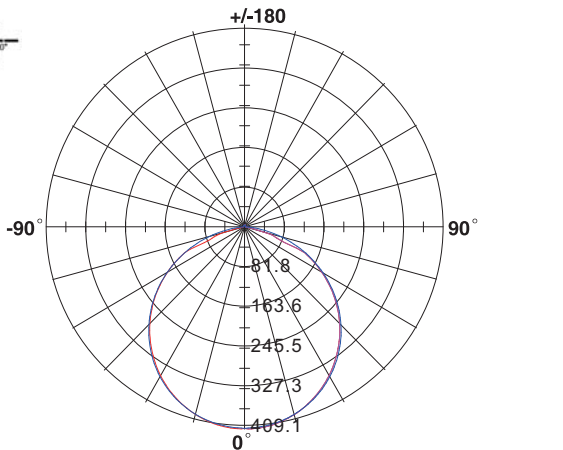


Today and tomorrow

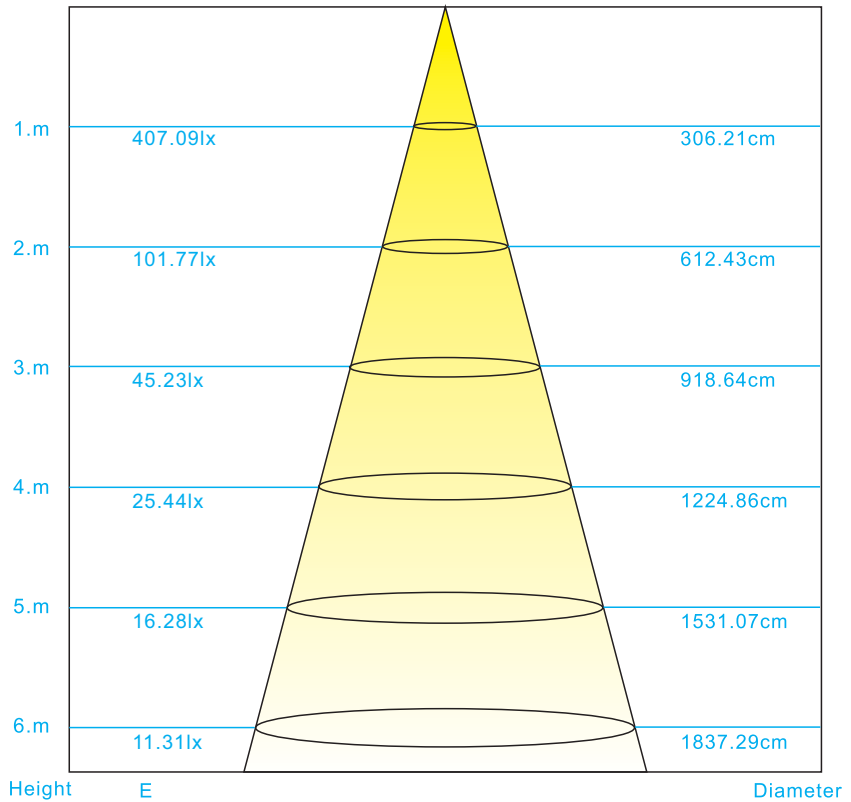
- IP20:** bare, max. light output and the best color consistency, indoor use.
- IP52:** Silicone coating, ~5% less output and 3rd best color consistency, indoor use, for damp environments.
- IP65:** Silicon tube / Heat shrink tube / Extrusion tube / U milky tube + clear cover, ~3% less output and 2nd best color consistency, Indoor use or semi-outdoor use, for raining environments.
- IP67:** Silicone tube + silicon filling, ~7% less output and 4th best color consistency, outdoor use, max length is 10 meters.
- IP67E:** Solid silicone extrusion, ~7% less output and 4th best color consistency, outdoor use, max length up to 50 meters.
- IP68:** PU(Polyurethane), ~7% less output and 4th best color consistency, under the water, within 2 meters deep.

Light Distribution Curve [Data base on 1m IP20 3000K CRI>90, Unit:cd]

Luminaire



Light Distribution Curve (Linear)
 (cd) | C0/C180: — C90/C270: — C0: —



Beam Angle: 113.30°

Packing Information (Data base on IP20)

