



LED STRIP SPECIFICATION

5050SMD 60LEDs DMX512 RGBW LED STRIP



Note: LEDYI may change product specifications and installation guidance without prior notice.

5050SMD 60LEDs DMX512 RGBW LED STRIP



Part Number: LY60-DMXS5050RGBW27-W24-IP20 → IP20/IP65

→ RGBW27/RGBW30/RGBW40/RGBW60



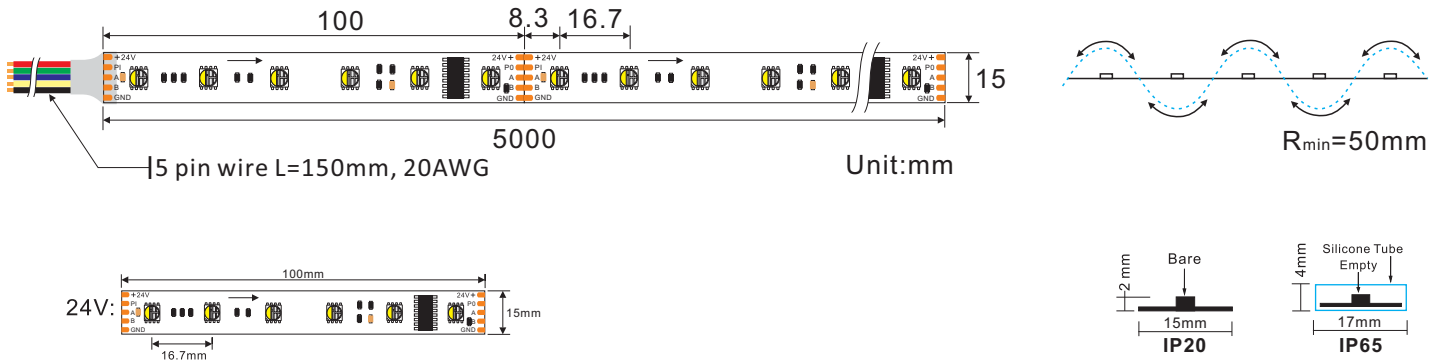
Description

DMX512 RGBW LED strip lights let you create millions of colors by just mixing red, green, and blue colors. With the ability to control each individual pixel and each individual channel, the color mix and color effects possibilities are endless.

- Compatible with DMX512(1990) protocol.
- Adopting RS485 signal trunk and signal differential transmission mode to ensure stronger ability of anti-interference and longer transmission distance
- Auto matically addressing with editor



Dimensions & Waterproof



Product Specification

Dimension	5000x15x2mm
Chip Type	5050SMD
Chip Density	60LEDs/m
Step LEDs	6LEDs
Step Length	100mm

Voltage(V)	DC24V
Current(A/m)	0.8A
Power(W/m)	19.2W(4 colors 100% on)
Beam Angle	120°
Operation Temperature	-20°C~50°C

Product Photometrics- White Diodes only (Data base on IP20)

CCT (K)	Lumen (lm/m)	Power (w/m)	Efficacy (lm/w)	CRI	R9
2700±100	489.22	4.8	101.92	73.36	3.65
3000±100	479.33	4.8	99.86	77.62	8.78
4000±200	508.66	4.8	105.97	79.86	17.98
6000±300	517.68	4.8	107.85	78.42	18.63

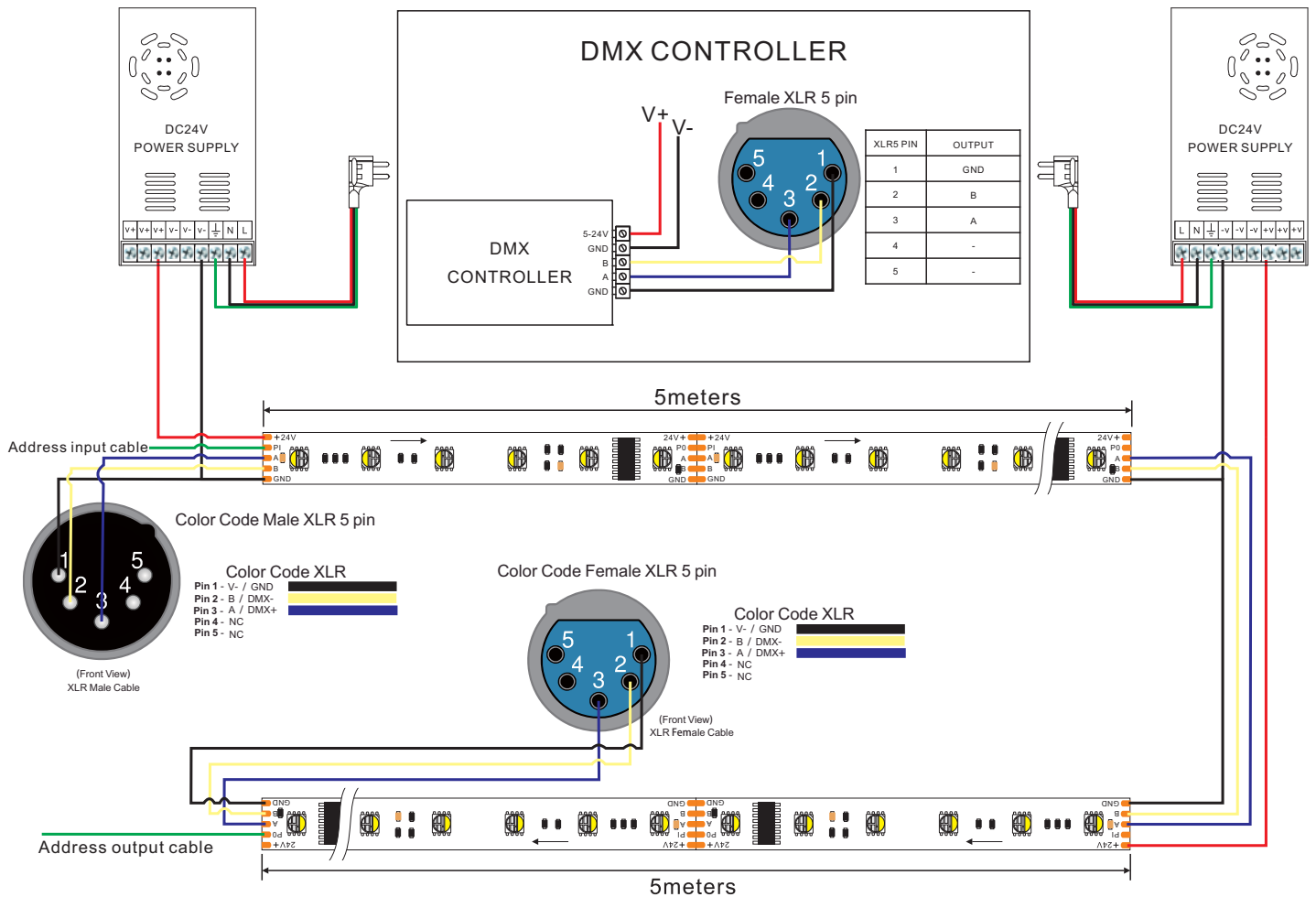
Product Photometrics - Red, Green and Blue Diodes (Data base on IP20)

Color	Peak Wavelength (nm)	Dominant Wavelength (nm)	Lumen (lm/m)	Power (w/m)	Efficacy (lm/w)
Red	630	620	141.89	4.26	33.33
Green	518	527	441.42	5.37	82.21
Blue	465	469	122.97	4.77	25.76

Product Photometrics - All Four color at 100% on (Data base on IP20 CRI>90)

CCT (K)	Lumen (lm/m)	Power (w/m)	Efficacy (lm/w)	CRI	R9
RGB+2700	1113.22	19.2	57.98	55.35	-
RGB+3000	1131.26	19.2	58.92	58.55	-
RGB+4000	1207.49	19.2	62.89	62.78	-
RGB+6000	1226.11	19.2	63.86	70.61	-

Wiring Diagram



Important:

1. Regular DMX512 LED Strip not include the XLR connector, if need XLR connector, extra cost will be added.
2. If you want to change the starting address, you will need a DMX Address Editor, available on our website.

Packing Information(Data base on IP20)

