



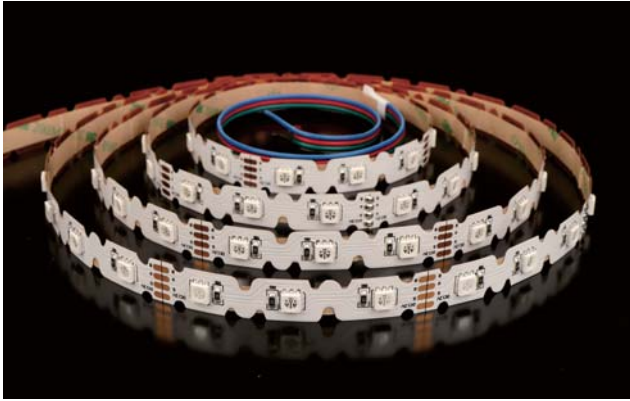
LED STRIP SPECIFICATION

5050SMD 42LEDs RGB S SHAPE BENDABLE LED STRIP



Note: LEDYI may change product specifications and installation guidance without prior notice.

Part Number: LY42-BS5050RGB-W12-IP20



Description

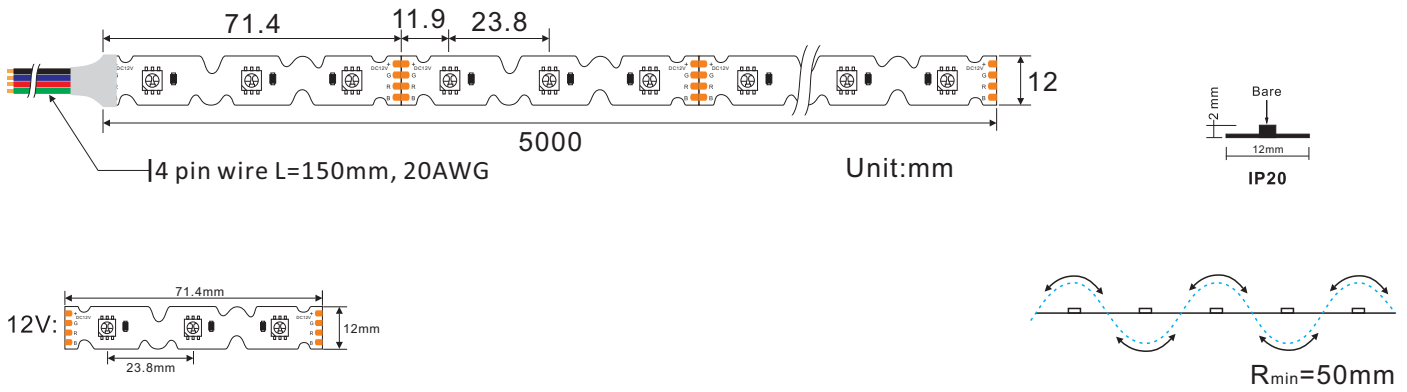
12V , flexible LED strip (3LED/step =71.4mm) with 3M adhesive tape on the back for easy installed.

10W/m. 120° beam angle,high light quality at a lifetime of 54,000 hours (L₇₀).

Double-layer FPC(2Oz) for good heat dissipation.



Dimensions & Waterproof



Product Specification

Dimension	5000x12x2mm
Chip Type	5050SMD
Chip Density	42LEDs/m
Step LEDs	3LEDs
Step Length	71.4mm

Voltage(V)	DC12V
Current(A/m)	0.83A
Power(W/m)	10W(3colors 100% on)
Beam Angle	120°
Operation Temperature	-20°C~50°C

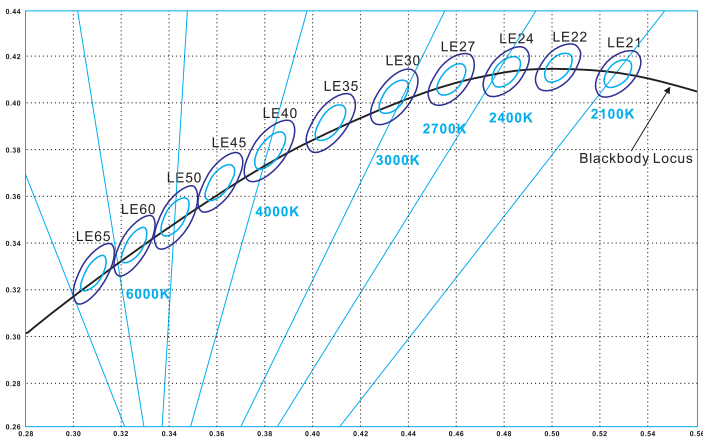
Product Photometrics - Red, Green and Blue Diodes (Data base on IP20)

Color	Peak Wavelength (nm)	Dominant Wavelength (nm)	Lumen (lm/m)	Power (w/m)	Efficacy (lm/w)
Red	632	622	103.10	3.20	32.22
Green	517	523	336.34	3.52	95.55
Blue	462	466	61.96	3.28	18.89

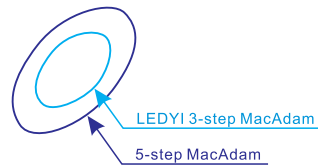
Product Photometrics - All Red, Green and Blue color at 100% on (Data base on IP20)

CCT (K)	Lumen (lm/m)	Power (w/m)	Efficacy (lm/w)	CRI	R9
42300K	440	10	44	57	-

Bining



Graphic Description:



For all your order

ONE BIN ONLY

Today and tomorrow

IP20: bare, max. light output and the best color consistency, indoor use.

Packing Information (Data base on IP20)

