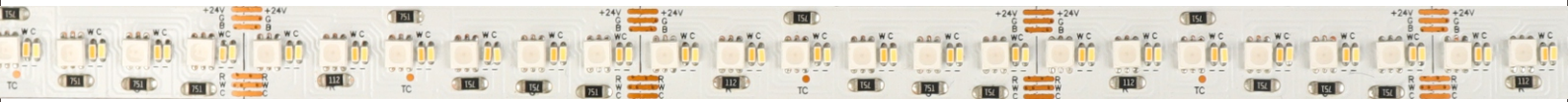




LED STRIP SPECIFICATION

3838smd&1808smd 360LEDs RGBTW LED STRIP



Note: LEDYI may change product specifications and installation guidance without prior notice.

Part Number: LY360-S3838RGBTW-W24-IP20

→ IP20/IP52/IP65H/IP65/IP67/IP67E/IP68



Description

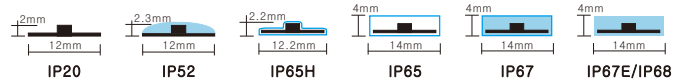
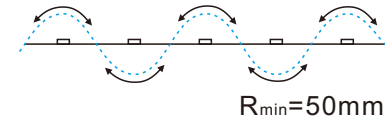
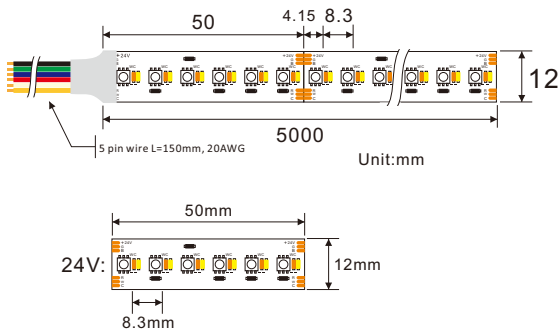
24V, flexible LED strip (18LEDs/step=20mm) with 3M adhesive tape on the back for easy installed.

1043.76lm/m at 24W/m. 120° beam angle. Very good color reproduction with CRI>95. "One Bin Only" within 3 MacAdam guarantees constant color temperature and high light quality at a lifetime of 54,000 hours (L₇₀).

Double-layer FPC(2Oz) for good heat dissipation.



Dimensions & Waterproof



Product Specification

Dimension	5000x12x2mm
Chip Type	3838SMD&1808SMD
Chip Density	360LEDs/m
Step LEDs	18LEDs
Step Length	50mm

Voltage(V)	DC24V
Current(A/m)	1A
Power(W/m)	24W(5 colors 100% on)
Beam Angle	120°
Operation Temperature	-20°C~50°C

Product Photometrics (Data base on IP20)

CCT (K)	Lumen (lm/m)	Power (w/m)	Efficacy (lm/w)	CRI	R9	TM-30-15	
						Rf (Fidelity)	Rg (Gamut)
2700	288	4.8	60	96.09	89.13	90.10	99.09
3000	297.6	4.8	62	97.15	95.17	95.17	105.06
4000	336	4.8	70	97.59	95.07	95.07	101.04
6000	360	4.8	75	97.17	95.13	95.13	100.01

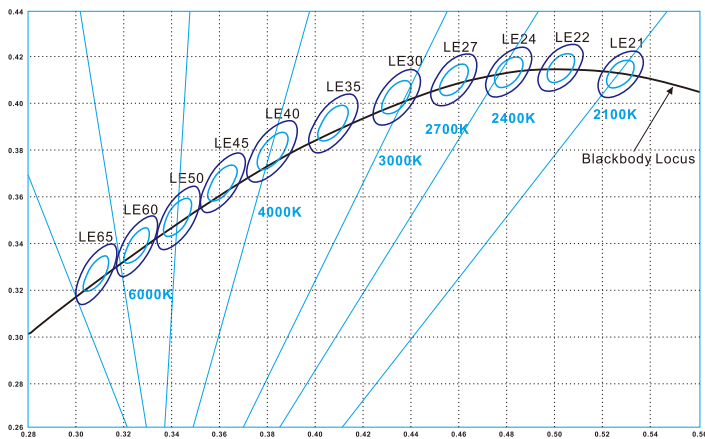
Product Photometrics - Red, Green and Blue Diodes (Data base on IP20)

Color	Peak Wavelength (nm)	Dominant Wavelength (nm)	Lumen (lm/m)	Power (w/m)	Efficacy (lm/w)
Red	631.0	621.1	116.25	4.8	24.22
Green	514.4	519.2	326.44	4.8	68.01
Blue	463.6	468.0	83.56	4.8	17.41

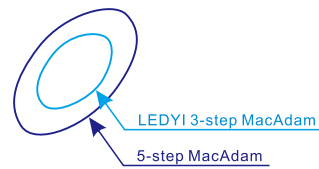
Product Photometrics - All Five color at 100% on (Data base on IP20 CRI>80)

CCT (K)	Lumen (lm/m)	Power (w/m)	Efficacy (lm/w)	CRI	R9
RGB+3000+6000	1043.76	24	43.49	67	5

Bining



Graphic Description:



For all your order

Today and tomorrow

- IP20:** bare, max. light output and the best color consistency, indoor use.
- IP52:** Silicone coating, ~5% less output and 3rd best color consistency, indoor use, for damp environments.
- IP65:** Silicon tube / Heat shrink tube / Extrusion tube / U milky tube + clear cover, ~3% less output and 2nd best color consistency, Indoor use or semi-outdoor use, for raining environments.
- IP67:** Silicone tube + silicon filling, ~7% less output and 4th best color consistency, outdoor use, max length is 10 meters.
- IP67E:** Solid silicone extrusion, ~7% less output and 4th best color consistency, outdoor use, max length up to 50 meters.
- IP68:** PU(Polyurethane), ~7% less output and 4th best color consistency, under the water, within 2 meters deep.

Packing Information(Data base on IP20)

