



LED STRIP SPECIFICATION

1808SMD 120LEDs 8mm PCB LED STRIP



Note: LEDYI may change product specifications and installation guidance without prior notice.

1808SMD 120LEDs 8mm PCB LED STRIP



Part Number: LY120-S1808W30-W24-IP20 → IP20/IP52/IP65H/IP65/IP67/IP67E/IP68
 ↳ W12/W24
 ↳ W25/W27/W30/W35/W40/W50/W60

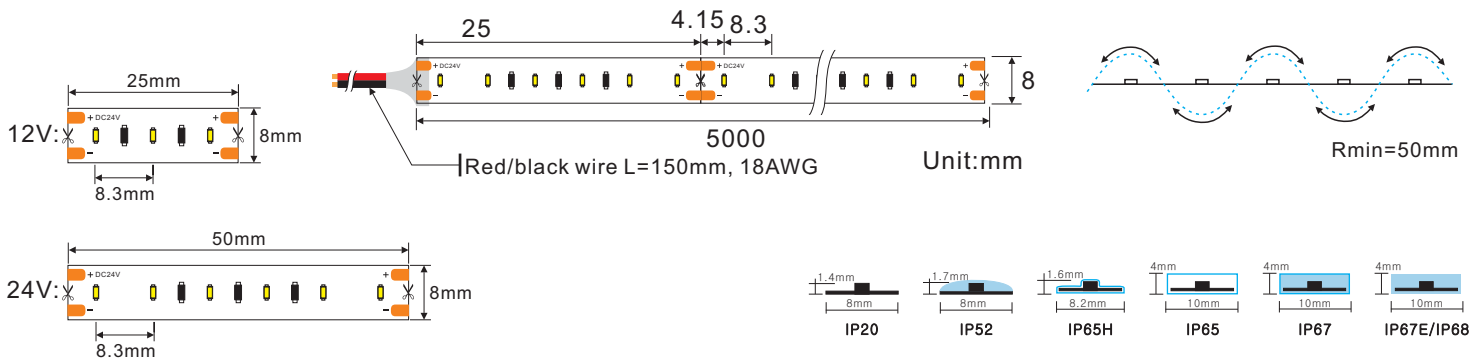


Description

12V and 24V for option, flexible LED strip (3LED/step =25mm, 6LED/step =50mm) with 3M adhesive tape on the back for easy installed.928.3lm/m at 9.6W/m. 120° beam angle. Very good color reproduction with CRI>95. "One Bin Only" within 3 MacAdam guarantees constant color temperature and high light quality at a lifetime of 54,000 hours (L₇₀). Double-layer FPC(2Oz) for good heat dissipation.



Dimensions & Waterproof



Product Specification

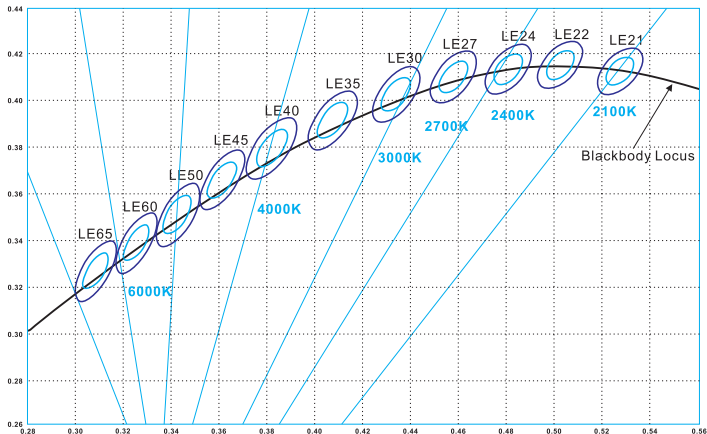
Dimension	5000x8x1.4mm
Chip Type	1808SMD
Chip Density	120LEDs/m
Step LEDs	3LEDs(12V)/6LEDs(24V)
Step Length	25mm/50mm

Voltage(V)	DC12V/DC24V
Current(A/m)	0.8A/0.4A
Power(W/m)	9.6W
Beam Angle	120°
Operation Temperature	-20°C~50°C

Product Photometrics (Data base on IP20 CRI>95)

CCT (K)	Lumen (lm/m)	Efficacy (lm/w)	CRI	R9	TM-30-15	
					Rf (Fidelity)	Rg (Gamut)
2500±100	761.3	79.3	95.2	92.2	95.3	99.8
2700±100	772.8	80.5	95.8	93.4	95.6	99.3
3000±100	895.7	93.3	96.1	95.9	95.9	101.1
3500±150	896.6	93.4	96.7	96.9	96.9	102.4
4000±200	913.9	95.2	96.3	95.2	96.9	103.7
5000+500	921.6	96.0	95.1	95.2	96.7	102.1
6000+500	928.3	96.7	95.0	93.1	96.1	101.1

Bining



Graphic Description:



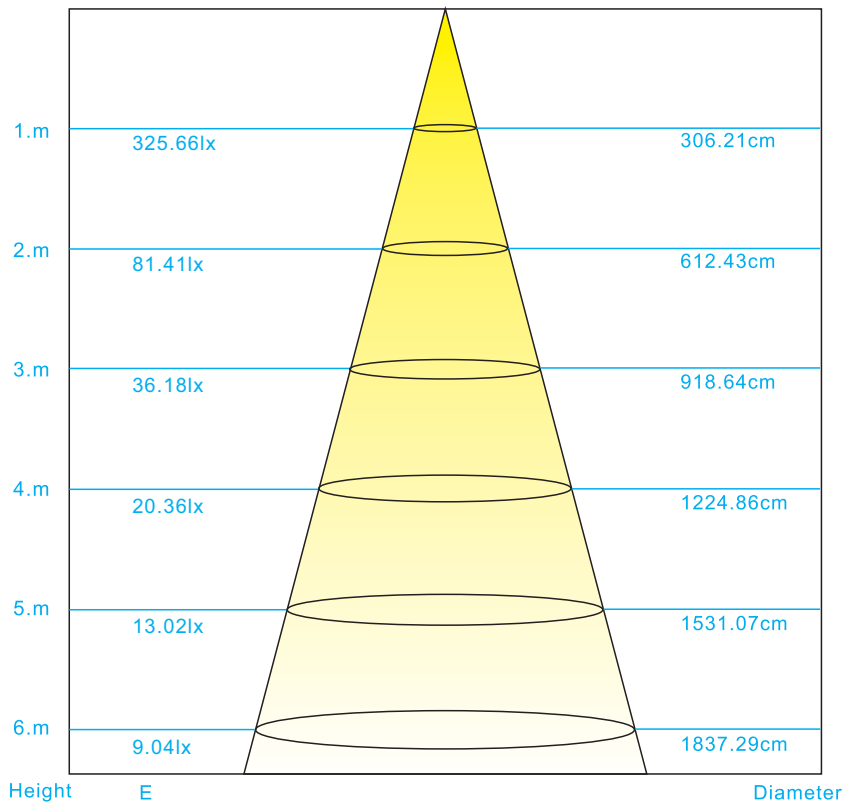
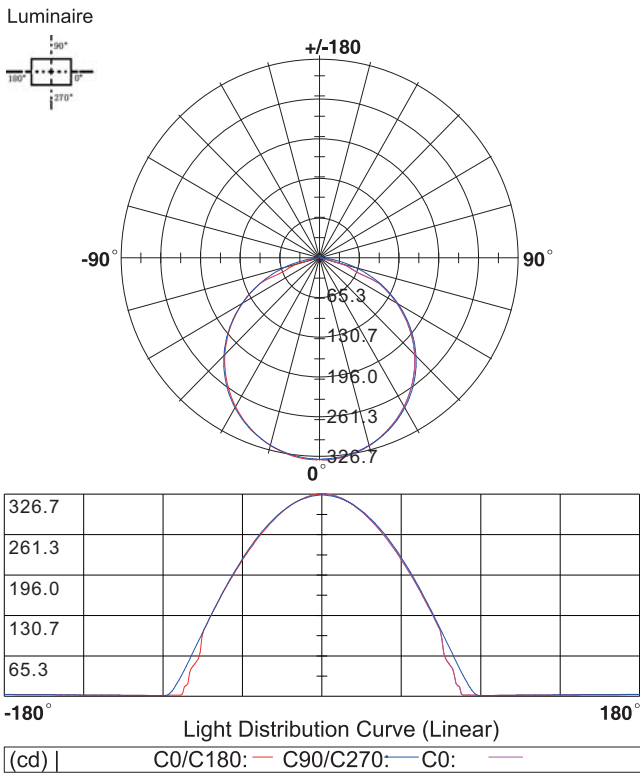
For all your order



Today and tomorrow

- IP20:** bare, max. light output and the best color consistency, indoor use.
- IP52:** Silicone coating, ~5% less output and 3rd best color consistency, indoor use, for damp environments.
- IP65:** Silicon tube / Heat shrink tube / Extrusion tube / U milky tube + clear cover, ~3% less output and 2nd best color consistency, Indoor use or semi-outdoor use, for raining environments.
- IP67:** Silicone tube + silicon filling, ~7% less output and 4th best color consistency, outdoor use, max length is 10 meters.
- IP67E:** Solid silicone extrusion, ~7% less output and 4th best color consistency, outdoor use, max length up to 50 meters.
- IP68:** PU(Polyurethane), ~7% less output and 4th best color consistency, under the water, within 2 meters deep.

Light Distribution Curve [Data base on 1m IP20 6000K CRI>95, Unit:cd]



Beam Angle: 116.30°

Packing Information (Data base on IP20)

