



LED NEON FLEX SPECIFICATION

IP67 NEON 2016 24V TOP VIEW



Note: LEDYI may change product specifications and installation guidance without prior notice.

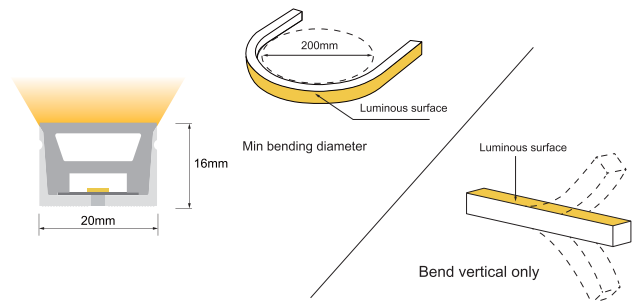
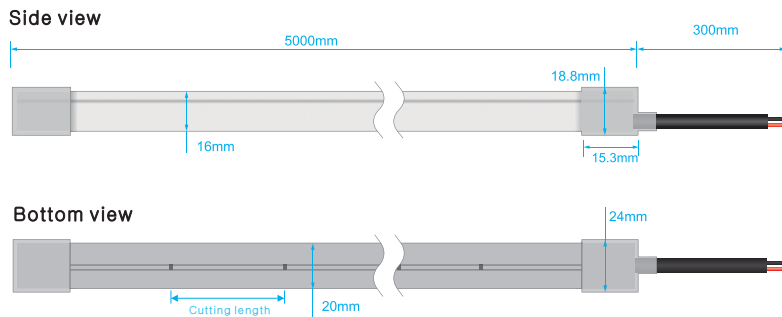
Regular power 12W/m, 16W/m and 20W/m for option

Max length 17 meters with one end power

Eight CCT optional from 2100K to 6000K



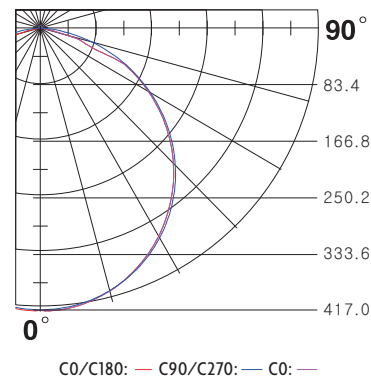
Dimensions & Waterproof



Product specification

Voltage	DC24 V
CRI/Ra	>90
Ambient temperature	-25°C~45°C
Color Type	Cutting length(mm)
Single color	50mm
Tunable white	50mm
RGB color	62.5mm
RGBW color	62.5mm

Polar curve (The data base on 20W 6000K)



White color parameters

Part Number	CCT (K)	Low power(12w/m)		Medium power(16w/m)		High power(20w/m)	
		(lm/m)	(max length)	(lm/m)	(max length)	(lm/m)	(max length)
▶ NS-T2016-W21	2000-2200K	608	17m	792	14m	942	12m
▶ NS-T2016-W24	2300-2500K	651	17m	837	14m	1010	12m
▶ NS-T2016-W27	2600-2800K	733	17m	945	14m	1136	12m
▶ NS-T2016-W30	2900-3100K	724	17m	937	14m	1119	12m
▶ NS-T2016-W35	3400-3700K	680	17m	886	14m	1058	12m
▶ NS-T2016-W40	3800-4300K	783	17m	1009	14m	1220	12m
▶ NS-T2016-W50	4800-5300K	773	17m	997	14m	1207	12m
▶ NS-T2016-W60	5900-6400K	767	17m	999	14m	1185	12m

Tunable color parameters

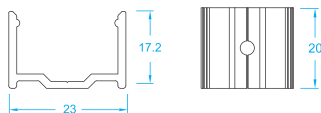
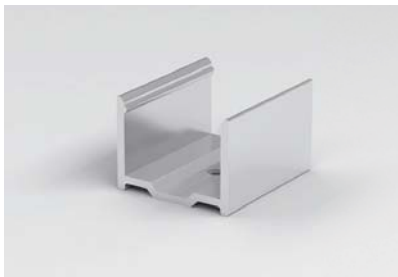
Part Number	CCT (K)	Low power(12w/m)		Medium power(16w/m)		High power(20w/m)	
		(lm/m)	(max length)	(lm/m)	(max length)	(lm/m)	(max length)
▶ NS-T2016-TW	2500-2900K	384	5m	498	5m	617	5m
▶ NS-T2016-TW	5000-5800K	395	5m	524	5m	642	5m
▶ NS-T2016-TW	3500-4200K	785	5m	1013	5m	1258	5m

RGB & RGBW color parameters

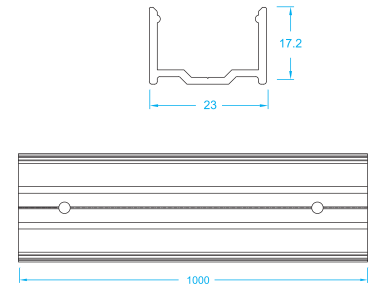
Part Number	Color (nm)	Low power(12w/m)		Medium power(16w/m)		High power(20w/m)	
		(lm/m)	(max length)	(lm/m)	(max length)	(lm/m)	(max length)
▶ NS-T2016-R	Red(620-625nm)	335	25m	458	21m	524	18m
▶ NS-T2016-G	Green(515-525nm)	788	17m	973	14m	1134	12m
▶ NS-T2016-B	Blue(460-465nm)	169	17m	214	14m	262	12m
▶ NS-T2016-Y	Yellow(585-595nm)	270	25m	335	21m	344	18m
▶ NS-T2016-P	Pink	325	17m	412	14m	502	12m
▶ NS-T2016-RGB	RGB	360.2	5m	449.4	5m	518.4	5m
▶ NS-T2016-RGBW	RGBW	479.6	5m	635.1	5m	739.6	5m

Mounting Accessory

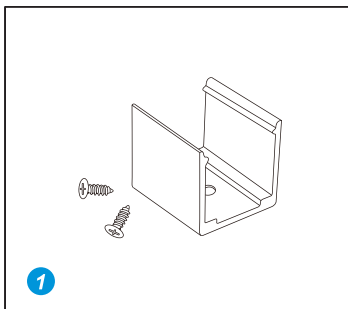
Aluminium Mounting clips



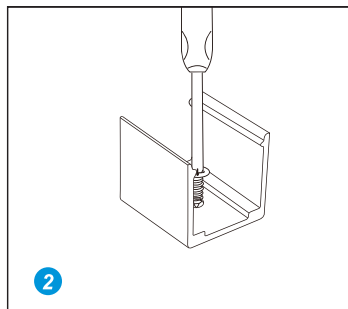
Aluminium Profile



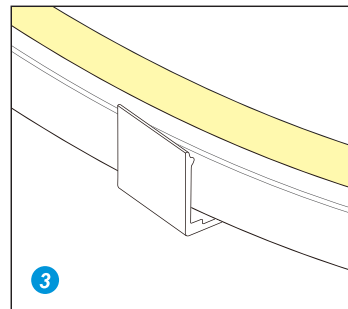
Installation



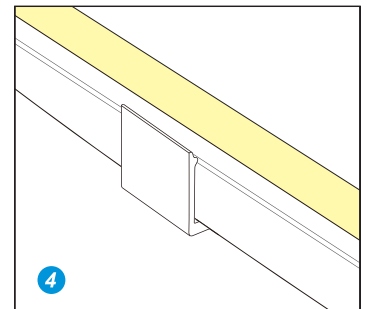
1 Prepare the screws and mounting clips



2 Adjust the fixed clips to the appropriate place, use a screwdriver to fix the screw.



3 Put the light emitting surface upwards, then insert the LED strip into the fixed clips.



4 Fix NEON strip completely into the fixed clip.