



# LED NEON FLEX SPECIFICATION

IP65 / IP67 NEON 1212 24V TOP VIEW



Note: LEDYI may change product specifications and installation guidance without prior notice.

- Regular power 5W/m and 10W/m for option
- Max length 25 meters with one end power
- Soldering-free and silicone end cap
- Eight CCT optional from 2100K to 6150K

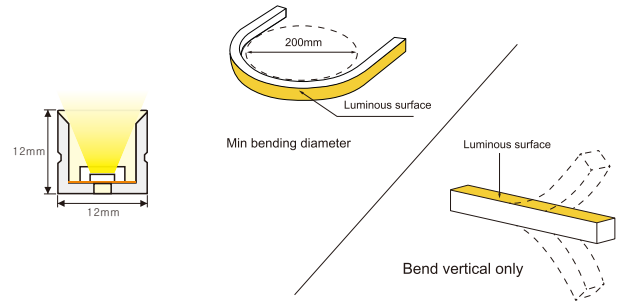
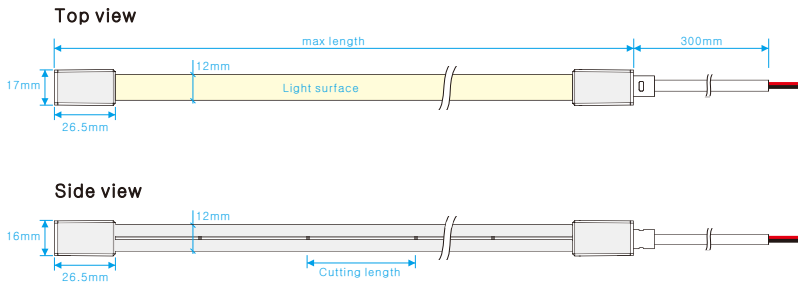
- 2100K, 2400K, 2700K, 3000K, 3550K, 4050K, 5050K, 6150K
- 2500K, 5700K

- R, P, G, B, Y, RGB



- One Bin, CRI > 90, Solvent resistant, Saltwater resistant, UV protected, Cuttable, 50000 hours Lifetime, LM80 Compliant, 3 YEARS WARRANTY

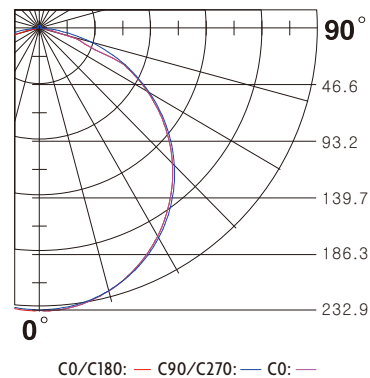
## Dimensions & Waterproof



## Product specification

Voltage	DC24 V
CRI/Ra	>90
Ambient temperature	-25°C~45°C
Color Type	Cutting length (mm)
Single color	50mm
Tunable white	50mm
RGB color	62.5mm

## Polar curve (The data base on 10W 6000K)



## White color parameters

Part Number	CCT (K)	Low power(5w/m)		High power(10w/m)	
		(lm/m)	(max length)	(lm/m)	(max length)
▶ NS-T1212-W21	2000-2200K	290.8	19m	559.8	13m
▶ NS-T1212-W24	2300-2500K	289.6	19m	562.4	13m
▶ NS-T1212-W27	2600-2800K	349.5	19m	668.3	13m
▶ NS-T1212-W30	2900-3100K	329.7	19m	638.8	13m
▶ NS-T1212-W35	3400-3700K	354.1	19m	661.7	13m
▶ NS-T1212-W40	3800-4300K	347.1	19m	677.4	13m
▶ NS-T1212-W50	4800-5300K	346.7	19m	681.9	13m
▶ NS-T1212-W60	5900-6400K	336.2	19m	661.8	13m

## Tunable color parameters

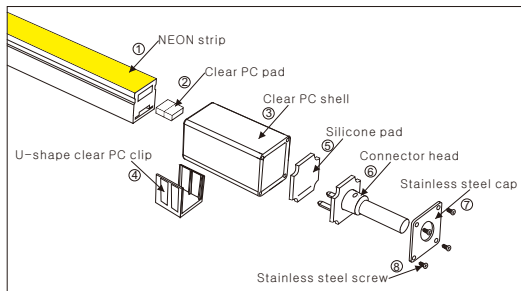
Part Number	CCT (K)	Low power(5w/m)		High power(10w/m)	
		(lm/m)	(max length)	(lm/m)	(max length)
▶ NS-T1212-TW	2500-2900K	151.2	5m	314.5	5m
▶ NS-T1212-TW	5000-5700K	161.2	5m	336.6	5m
▶ NS-T1212-TW	3600-4200K	316.0	5m	646.1	5m

## RGB color parameters

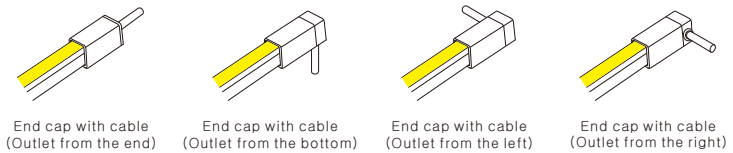
Part Number	Color (nm)	Low power(5w/m)		High power(15w/m)	
		(lm/m)	(max length)	(lm/m)	(max length)
▶ NS-T1212-R	Red(620-625nm)	132.0	25m	276.7	17m
▶ NS-T1212-G	Green(515-525nm)	374.0	19m	703.0	13m
▶ NS-T1212-B	Blue(460-465nm)	70.0	19m	129.0	13m
▶ NS-T1212-Y	Yellow(585-595nm)	27.9	25m	50.7	17m
▶ NS-T1212-P	Pink	143.0	19m	278.0	13m
▶ NS-T1212-RGB	RGB	174.0	5m	288.0	5m

## Installation of solder-free connector with cable

### Explosive drawing of Solder-free connector with cable



### Cable outlet



### Note:

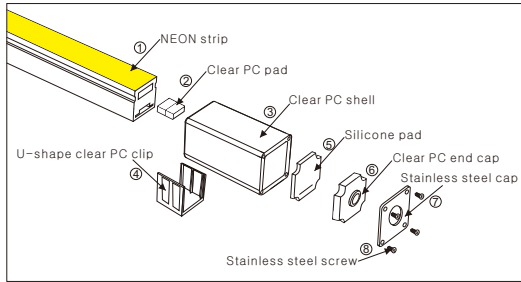
1. The same installation step suit for different outlet cable of the connector
2. Please keep the cutting place as flat as possible to achieve better waterproof effect.
3. This installation instruction is suitable of all the solder-free connector with similar structures.

### Installation instruction of Solder-free connector with cable

<p><b>Step 1:</b> Insert the clear PC pad into the hole of the NEON strip</p>	<p><b>Step 2:</b> Insert NEON strip into the clear PC shell</p>	<p><b>Step 3:</b> Install the U-shape clear PC clip on the bottom</p>	<p><b>Step 4:</b> Insert the connector head into the silicone pad</p>
<p><b>Step 5:</b> Insert the connector head into the NEON strip, please make sure the connector plug on the back of PCB soldering spot</p>	<p><b>Step 6:</b> Use screws to fix the stainless steel cap on the clear PC shell</p>	<p><b>Step 7:</b> Finish the whole installation of NEON strip end cap with cable</p>	

## Installation of solder-free connector without cable

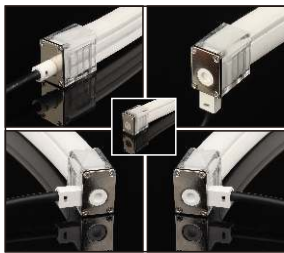
### Explosive drawing of Solder-free connector without cable



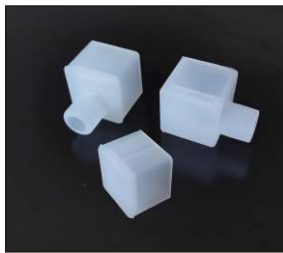
### Installation instruction of Solder-free connector without cable

<p><b>Step 1:</b> Insert the clear PC pad into the hole of the NEON strip</p>	<p><b>Step 2:</b> Insert NEON strip into the clear PC shell</p>	<p><b>Step 3:</b> Install the U-shape clear PC clip on the bottom</p>	<p><b>Step 4:</b> Press the silicone pad into the Clear PC shell</p>
<p><b>Step 5:</b> Press the clear PC end cap into the Clear PC shell</p>	<p><b>Step 6:</b> Use screws to fix the stainless steel cap on the clear PC shell</p>	<p><b>Step 7:</b> Finish the whole installation of NEON strip end cap without cable</p>	

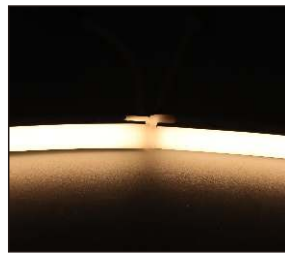
## Accessory



IP65 Solder-free endcap



IP67 Silicone end cap



IP67 Silicone injection mold endcap



Mounting clip(length: 2cm)  
Mounting channel(length: 1m, 2m, 3m)



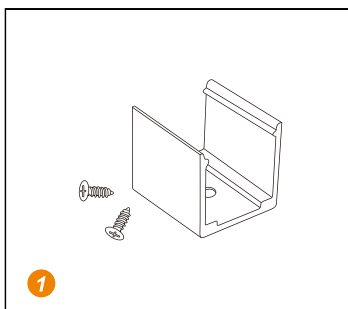
Scissors with angular scale

**NOTE:** IP65 solder free endcap fix by screw, more convenient.

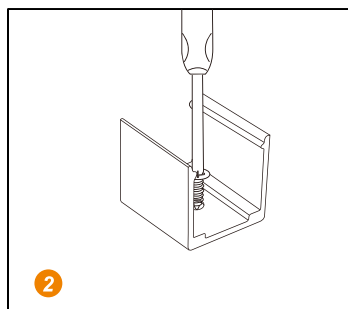
IP67 silicone endcap fix by silicone glue, more reliable.

IP67 silicone injection mold endcap, same size as tube, can be seamless connection between reels and no dark area.

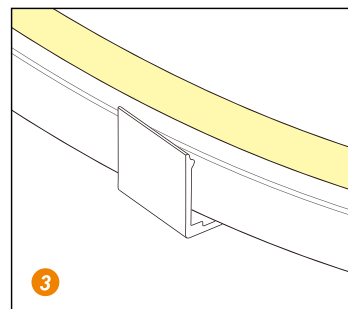
## Installation



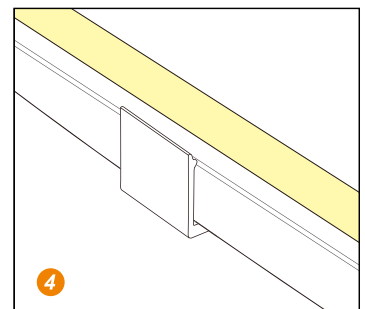
1 Prepare the screws and mounting clips



2 Adjust the fixed clips to the appropriate place, use a screwdriver to fix the screw.



3 Put the light emitting surface upwards, then insert the LED strip into the fixed clips.



4 Fix NEON strip completely into the fixed clip.