



LED NEON FLEX SPECIFICATION

IP67 NEON 1010 24V TOP VIEW



Note: LEDYI may change product specifications and installation guidance without prior notice.

Regular power 5W/m and 10W/m for option

Max length 5 meters with one end power

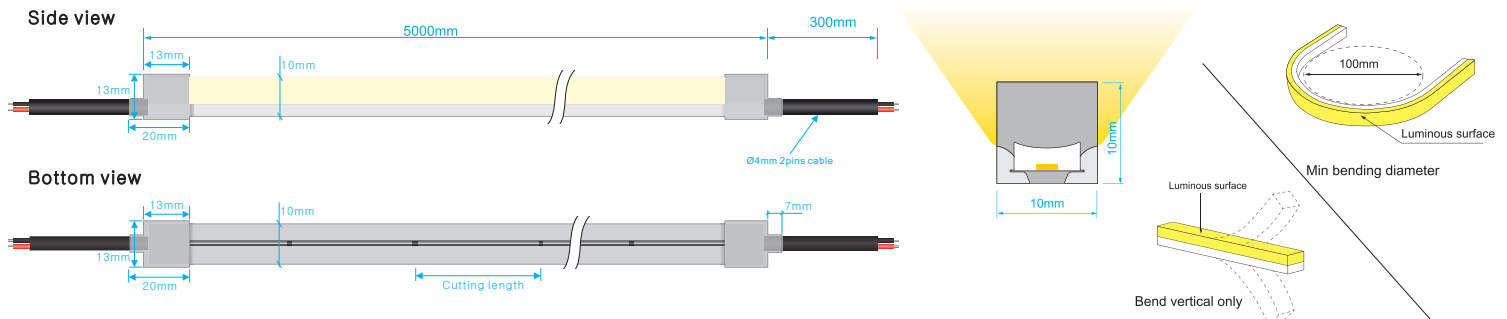
Eight CCT optional from 2100K to 6000K

2100K
2400K
2700K
3000K
3500K
4000K
5000K
6000K

R G B Y P



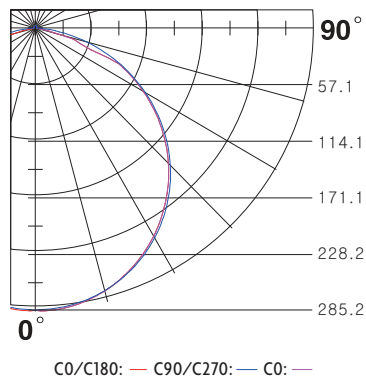
Dimensions & Waterproof



Product specification

Voltage	DC24 V
CRI/Ra	>90
Ambient temperature	-25°C~45°C
Color Type	Cutting length(mm)
Single color	35.7mm

Polar curve (The data base on 10W 6000K)



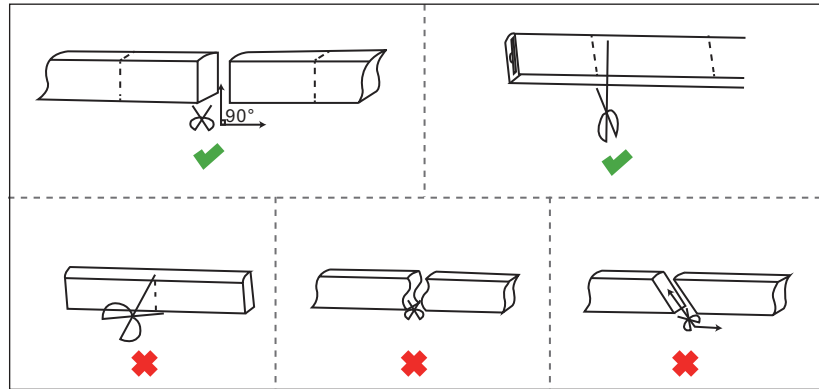
White color parameters

Part Number	CCT (K)	Low power(5w/m)		High power(10w/m)	
		(lm/m)	(max length)	(lm/m)	(max length)
▶ NS-T1010-W21	2000-2200K	332.5	5m	644.1	5m
▶ NS-T1010-W24	2300-2500K	354.8	5m	684.7	5m
▶ NS-T1010-W27	2600-2800K	380.2	5m	737.9	5m
▶ NS-T1010-W30	2900-3100K	401.6	5m	785.9	5m
▶ NS-T1010-W35	3400-3700K	371.3	5m	718.7	5m
▶ NS-T1010-W40	3800-4300K	429.6	5m	828.8	5m
▶ NS-T1010-W50	4800-5300K	427.6	5m	827.7	5m
▶ NS-T1010-W60	5900-6400K	419.0	5m	810.6	5m
▶ NS-T1010-R	RED	153.7	5m	331.6	5m
▶ NS-T1010-G	GREEN	512.7	5m	920.8	5m
▶ NS-T1010-B	BLUE	93.96	5m	173.6	5m
▶ NS-T1010-Y	YELLOW	127.4	5m	268.1	5m
▶ NS-T1010-P	PINK	179.0	5m	347.5	5m

Cutting method

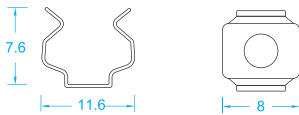
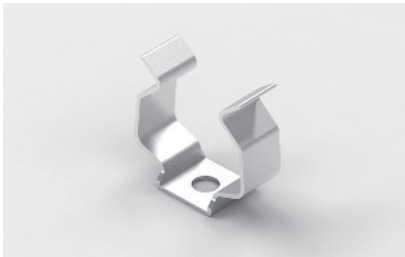


Remark: The bottom of the led strip has transparent window, the black marker is the cutting position

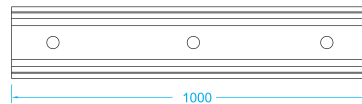
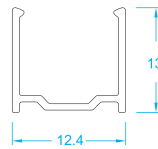


Mounting Accessory

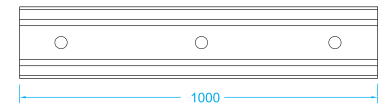
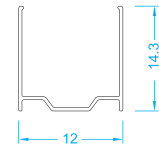
Stainless Steel Mounting clips



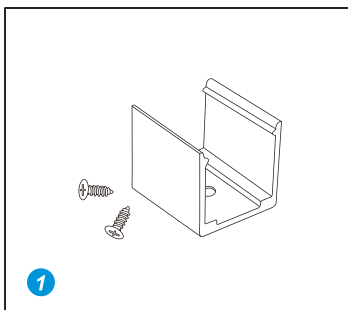
Aluminium Profile



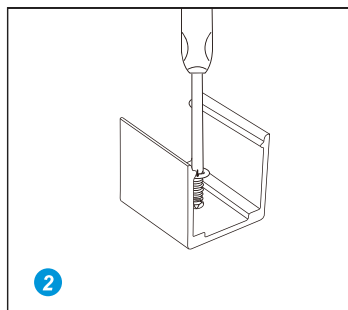
transparent plastic groove



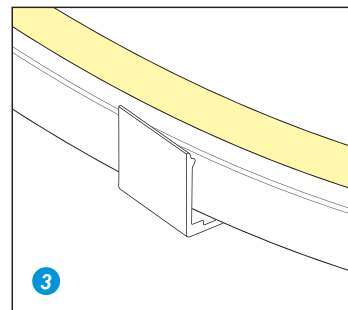
Installation



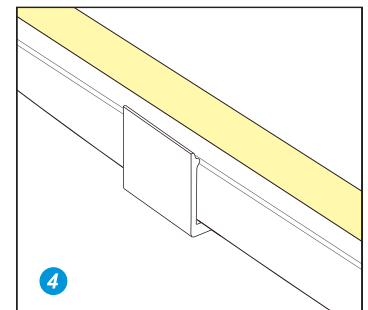
1 Prepare the screws and mounting clips



2 Adjust the fixed clips to the appropriate place, use a screwdriver to fix the screw.



3 Put the light emitting surface upwards, then insert the LED strip into the fixed clips.



4 Fix NEON strip completely into the fixed clip.