



LED NEON FLEX SPECIFICATION

IP67 NEON 0606 24V TOP VIEW



Note: LEDYI may change product specifications and installation guidance without prior notice.

Regular power 6W/m

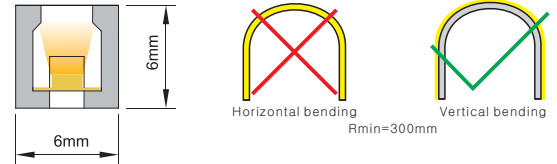
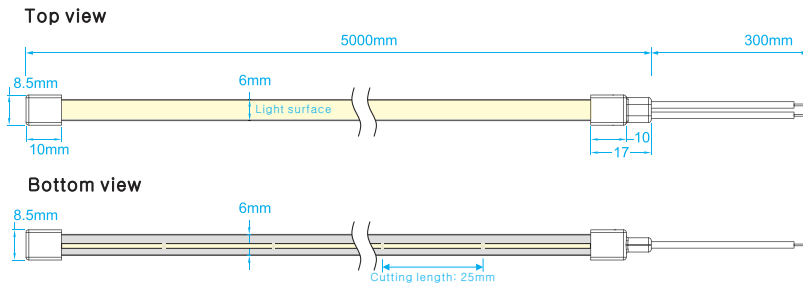
Max length 5 meters with one end power

Nine CCT optional from 1700K to 5600K

- 1700K
- 2200K
- 2400K
- 2600K
- 2800K
- 3200K
- 3800K
- 4400K
- 5600K



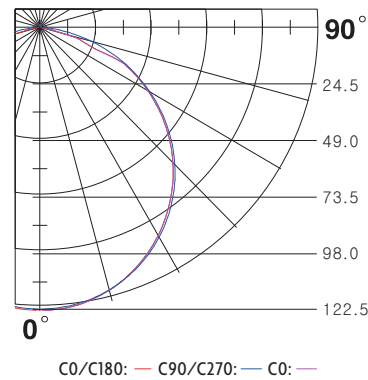
Dimensions & Waterproof



Product specification

Voltage	DC24 V
CRI/Ra	>90
Ambient temperature	-25°C~45°C
T0606	
Power(W/m)	6
Efficacy(lm/W)@3000K	58
Max Length(m)	5

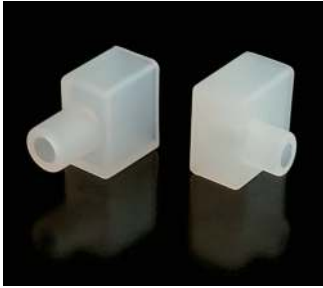
Polar curve (The data base on 6W 3200K)



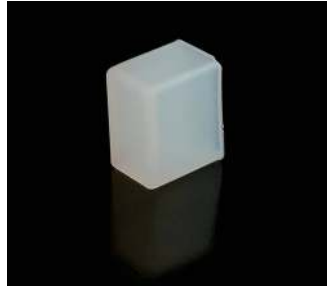
White color parameters

Part Number	CCT (K)	Efficacy (lm/w)	Lumen (lm/m)
▶ NS-T0606-W17	1700K ⁺²⁰⁰ / ₋₁₀₀	39.2	235
▶ NS-T0606-W22	2200K ⁺²⁰⁰ / ₋₁₀₀	54.2	325
▶ NS-T0606-W24	2400K ⁺²⁰⁰ / ₋₂₀₀	55.0	330
▶ NS-T0606-W26	2600K ⁺²⁰⁰ / ₋₂₀₀	56.2	337
▶ NS-T0606-W28	2800K ⁺²⁰⁰ / ₋₂₀₀	57.5	345
▶ NS-T0606-W32	3200K ⁺³⁰⁰ / ₋₂₀₀	58.0	348
▶ NS-T0606-W38	3800K ⁺⁴⁰⁰ / ₋₃₀₀	59.7	358
▶ NS-T0606-W44	4400K ⁺⁴⁰⁰ / ₋₄₀₀	58.8	353
▶ NS-T0606-W56	5600K ⁺⁴⁰⁰ / ₋₃₀₀	63.2	379

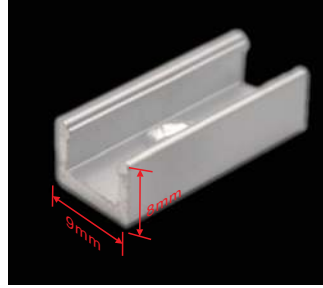
Accessory



Endcap connector with hole



Endcap without hole

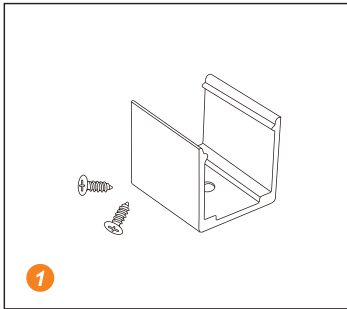


Mounting clip (length: 2cm)
Mounting channel (length: 1m, 2m, 3m)

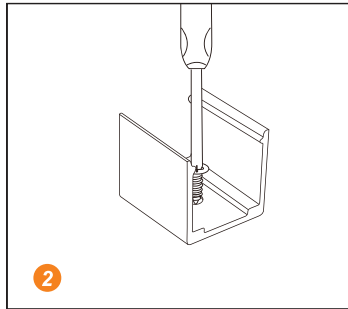


Scissors with angular scale

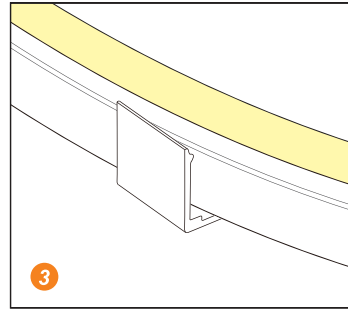
Installation



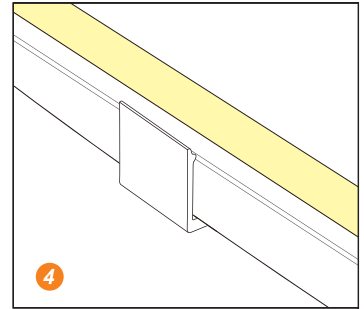
1 Prepare the screws and mounting clips



2 Adjust the fixed clips to the appropriate place, use a screwdriver to fix the screw.



3 Put the light emitting surface upwards, then insert the LED strip into the fixed clips.



4 Fix NEON strip completely into the fixed clip.