



# LED NEON FLEX SPECIFICATION

IP67 NEON 1225 24V SIDE VIEW

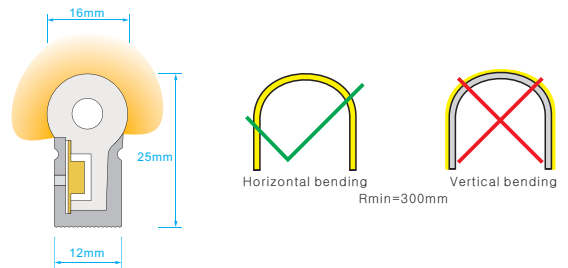
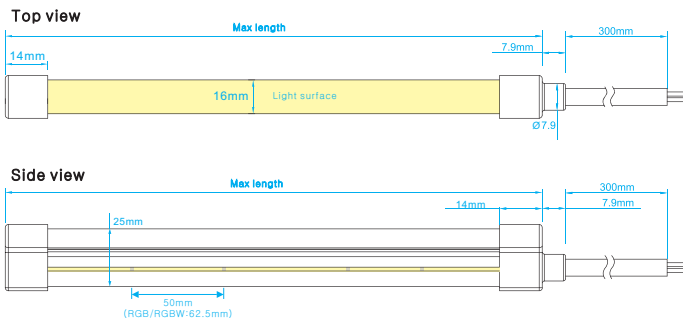


Note: LEDYI may change product specifications and installation guidance without prior notice.

- Regular power 5W/m, 10W/m and 15W/m for option
- Max length 35 meters with one end power
- Eight CCT optional from 2100K to 6000K



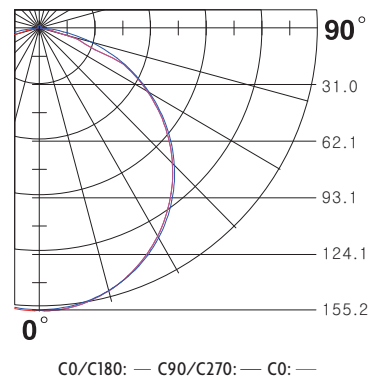
## Dimensions & Waterproof



## Product specification

Voltage	DC24 V
CRI/Ra	>90
Ambient temperature	-25°C~45°C
Color Type	Cutting length (mm)
Single color	50mm
Tunable white	50mm
RGB color	62.5mm
RGBW color	62.5mm

## Polar curve (The data base on 15W4000K)



## White color parameters

Part Number	CCT (K)	Low power(5w/m)		Medium power(10w/m)		High power(15w/m)	
		(lm/m)	(max length)	(lm/m)	(max length)	(lm/m)	(max length)
▶ NS-S1225-W21	2100K $\pm 100$	124	27m	237	17m	332	14m
▶ NS-S1225-W24	2400K $\pm 100$	139	27m	270	17m	382	14m
▶ NS-S1225-W27	2700K $\pm 100$	146	27m	286	17m	400	14m
▶ NS-S1225-W30	3000K $\pm 100$	144	27m	286	17m	395	14m
▶ NS-S1225-W35	3500K $\pm 100$	153	27m	304	17m	428	14m
▶ NS-S1225-W40	4000K $\pm 200$	160	27m	318	17m	441	14m
▶ NS-S1225-W50	5000K $\pm 300$	153	27m	301	17m	423	14m
▶ NS-S1225-W60	6000K $\pm 300$	159	27m	313	17m	436	14m

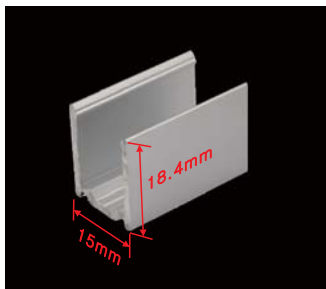
## Tunable color parameters

Part Number	CCT (K)	Low power(5w/m)		Medium power(10w/m)		High power(15w/m)	
		(lm/m)	(max length)	(lm/m)	(max length)	(lm/m)	(max length)
▶ NS-S1225-TW	2500-2900K	73	5m	150	5m	207	5m
▶ NS-S1225-TW	5000-5800K	75	5m	156	5m	216	5m
▶ NS-S1225-TW	3400-4000K	142	5m	291	5m	403	5m

## RGB & RGBW color parameters

Part Number	Color (nm)	Low power(5w/m)		Medium power(10w/m)		High power(15w/m)	
		(lm/m)	(max length)	(lm/m)	(max length)	(lm/m)	(max length)
▶ NS-S1225-R	Red(620-625nm)	55.6	35m	123	23m	172	18m
▶ NS-S1225-G	Green(515-525nm)	181	27m	340.7	17m	426	14m
▶ NS-S1225-B	Blue(460-465nm)	32	27m	61.4	17m	85.7	14m
▶ NS-S1225-Y	Yellow(585-595nm)	49.6	35m	102.5	23m	126.7	18m
▶ NS-S1225-P	Pink	65.6	27m	131.7	17m	175.8	14m
▶ NS-S1225-RGB	RGB	70.4	5m	131.6	5m	161.2	5m
▶ NS-S1225-RGBW50	RGBW50	91.7	5m	180.8	5m	254.7	5m

## Accessory

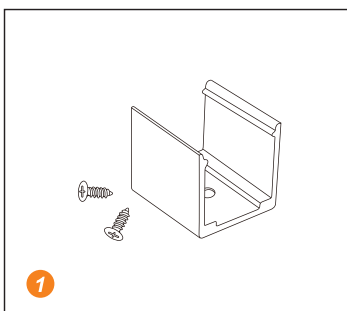


Mounting clip (length: 2cm)  
Mounting channel (length: 1m, 2m, 3m)

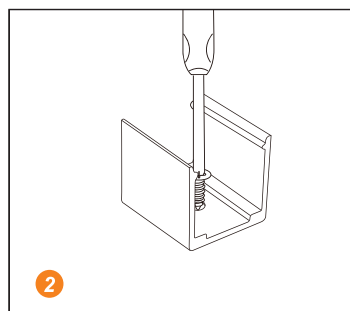


Scissors with angular scale

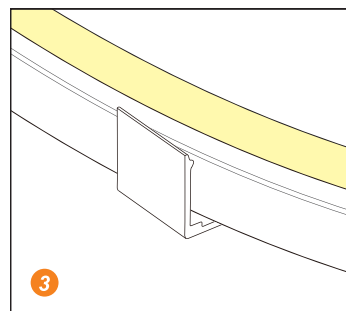
## Installation



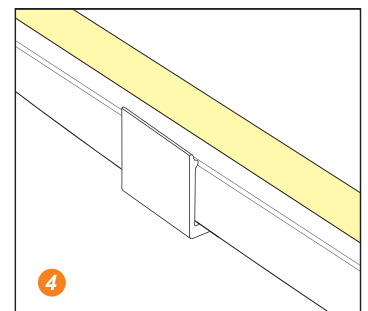
1 Prepare the screws and mounting clips



2 Adjust the fixed clips to the appropriate place, use a screwdriver to fix the screw.



3 Put the light emitting surface upwards, then insert the LED strip into the fixed clips.



4 Fix NEON strip completely into the fixed clip.