



LED NEON FLEX SPECIFICATION

IP67 NEON 1023 24V SIDE VIEW

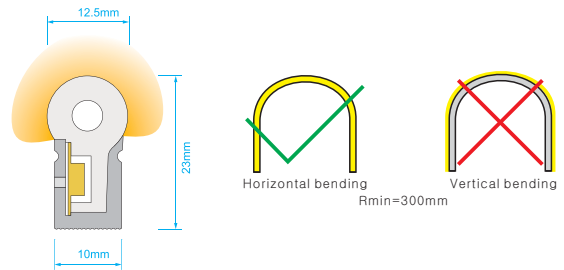
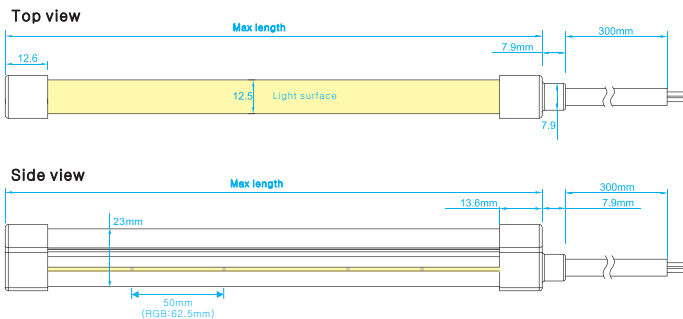


Note: LEDYI may change product specifications and installation guidance without prior notice.

- Regular power 5W/m, 10W/m and 15W/m for option
- Max length 33 meters with one end power
- Eight CCT optional from 2100K to 6000K



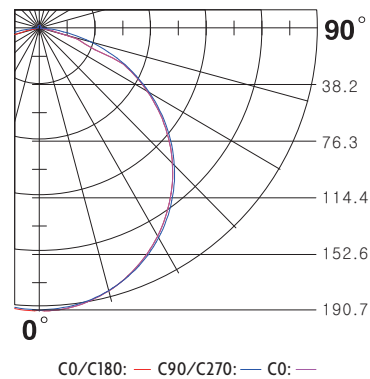
Dimensions & Waterproof



Product specification

Voltage	DC24 V
CRI/Ra	>90
Ambient temperature	-25°C~45°C
Color Type	Cutting length (mm)
Single color	50mm
Tunable white	50mm
RGB color	62.5mm

Polar curve (The data base on 15W4000K)



White color parameters

Part Number	CCT (K)	Low power(5w/m)		Medium power(10w/m)		High power(15w/m)	
		(lm/m)	(max length)	(lm/m)	(max length)	(lm/m)	(max length)
▶ NS-S1023-W21	2100K $^{+100}_{-100}$	160	25m	310	17m	433	13m
▶ NS-S1023-W24	2400K $^{+100}_{-100}$	167	25m	322	17m	454	13m
▶ NS-S1023-W27	2700K $^{+100}_{-100}$	179	25m	349	17m	491	13m
▶ NS-S1023-W30	3000K $^{+100}_{-100}$	175	25m	345	17m	478	13m
▶ NS-S1023-W35	3500K $^{+200}_{-100}$	194	25m	381	17m	534	13m
▶ NS-S1023-W40	4000K $^{+300}_{-200}$	197	25m	387	17m	542	13m
▶ NS-S1023-W50	5000K $^{+300}_{-200}$	191	25m	376	17m	531	13m
▶ NS-S1023-W60	6000K $^{+300}_{-100}$	179	25m	350	17m	500	13m

Tunable color parameters

Part Number	CCT (K)	Low power(5w/m)		Medium power(10w/m)		High power(15w/m)	
		(lm/m)	(max length)	(lm/m)	(max length)	(lm/m)	(max length)
▶ NS-S1023-TW	2500-2900K	85	5m	180	5m	251	5m
▶ NS-S1023-TW	5000-5800K	89	5m	190	5m	262	5m
▶ NS-S1023-TW	3500-4200K	175	5m	362	5m	509	5m

RGB color parameters

Part Number	Color (nm)	Low power(5w/m)		Medium power(10w/m)		High power(15w/m)	
		(lm/m)	(max length)	(lm/m)	(max length)	(lm/m)	(max length)
▶ NS-S1023-R	Red(620-625nm)	69	33m	148	22m	197	17m
▶ NS-S1023-G	Green(515-525nm)	213	25m	404	17m	513	13m
▶ NS-S1023-B	Blue(460-465nm)	40	25m	74	17m	103	13m
▶ NS-S1023-Y	Yellow(585-595nm)	63	33m	125	22m	156	17m
▶ NS-S1023-P	Pink	81	25m	162	17m	218	13m
▶ NS-S1023-RGB	RGB	78	5m	145	5m	181	5m

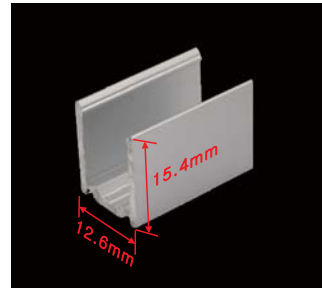
Accessory



Endcap connector with hole



Endcap without hole

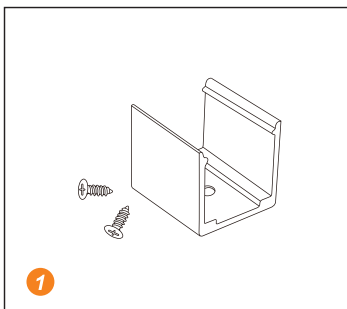


Mounting clip (length: 2cm)
Mounting channel (length: 1m, 2m, 3m)

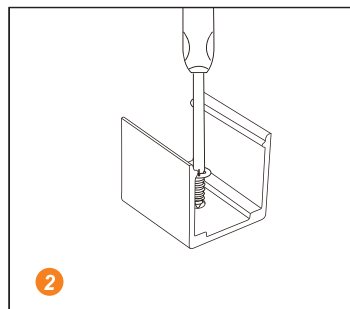


Scissors with angular scale

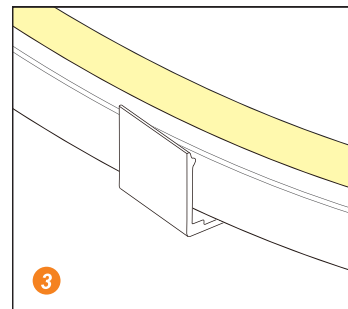
Installation



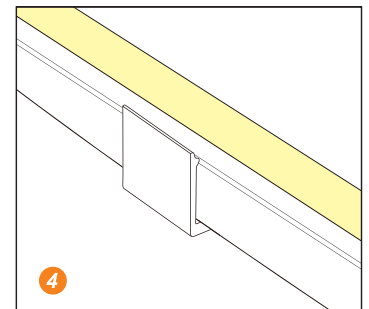
1 Prepare the screws and mounting clips



2 Adjust the fixed clips to the appropriate place, use a screwdriver to fix the screw.



3 Put the light emitting surface upwards, then insert the LED strip into the fixed clips.



4 Fix NEON strip completely into the fixed clip.