



LED NEON FLEX SPECIFICATION

IP67 NEON 1018 24V SIDE VIEW



Note: LEDYI may change product specifications and installation guidance without prior notice.

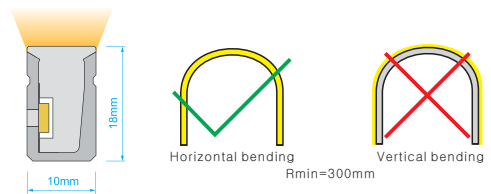
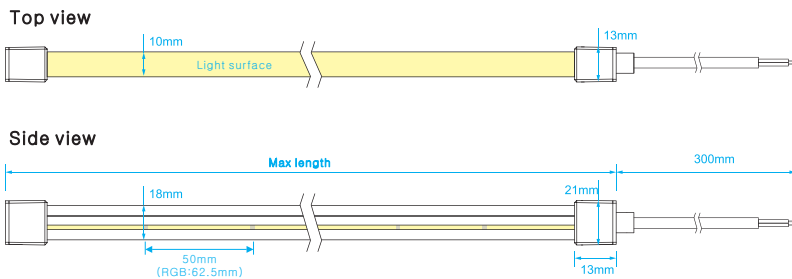
IP67 NEON 1018 24V SIDE VIEW



- Regular power 5W/m, 10W/m and 15W/m for option
- Max length 33 meters with one end power
- Eight CCT optional from 2100K to 6000K



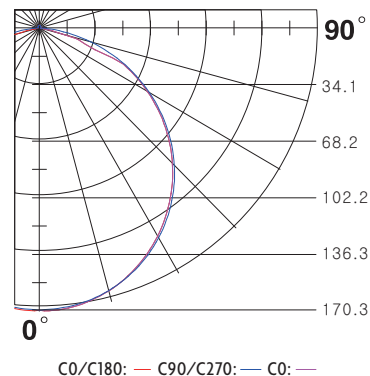
Dimensions & Waterproof



Product specification

Voltage	DC24 V
CRI/Ra	>90
Ambient temperature	-25°C~45°C
Color Type	Cutting length (mm)
Single color	50mm
Tunable white	50mm
RGB color	62.5mm

Polar curve (The data base on 15W4000K)



White color parameters

Part Number	CCT (K)	Low power(5w/m)		Medium power(10w/m)		High power(15w/m)	
		(lm/m)	(max length)	(lm/m)	(max length)	(lm/m)	(max length)
▶ NS-S1018-W21	2100K $^{+100}_{-100}$	141.4	25m	276.4	17m	375.9	13m
▶ NS-S1018-W24	2400K $^{+100}_{-100}$	138.7	25m	273.3	17m	371.5	13m
▶ NS-S1018-W27	2700K $^{+100}_{-100}$	160.4	25m	312.6	17m	421.9	13m
▶ NS-S1018-W30	3000K $^{+100}_{-100}$	163.4	25m	328.4	17m	441.3	13m
▶ NS-S1018-W35	3500K $^{+200}_{-100}$	170.3	25m	327.0	17m	452.6	13m
▶ NS-S1018-W40	4000K $^{+300}_{-200}$	178.3	25m	356.0	17m	484.1	13m
▶ NS-S1018-W50	5000K $^{+300}_{-200}$	180.3	25m	346.0	17m	483.9	13m
▶ NS-S1018-W60	6000K $^{+300}_{-100}$	177.2	25m	353.9	17m	468.5	13m

Tunable color parameters

Part Number	CCT (K)	Low power(5w/m)		Medium power(10w/m)		High power(15w/m)	
		(lm/m)	(max length)	(lm/m)	(max length)	(lm/m)	(max length)
▶ NS-S1018-TW	2500-2900K	77.2	5m	163.2	5m	219.0	5m
▶ NS-S1018-TW	5000-5800K	83.0	5m	173.5	5m	231.5	5m
▶ NS-S1018-TW	3500-4200K	160.8	5m	337.0	5m	451.8	5m

RGB color parameters

Part Number	Color (nm)	Low power(5w/m)		Medium power(10w/m)		High power(15w/m)	
		(lm/m)	(max length)	(lm/m)	(max length)	(lm/m)	(max length)
▶ NS-S1018-R	Red(620-625nm)	70	33m	150	22m	192.2	17m
▶ NS-S1018-G	Green(515-525nm)	190	25m	356	17m	466.0	13m
▶ NS-S1018-B	Blue(460-465nm)	38	25m	71	17m	92.7	13m
▶ NS-S1018-Y	Yellow(585-595nm)	59	33m	116	22m	37.4	17m
▶ NS-S1018-P	Pink	74	25m	148	17m	195.8	13m
▶ NS-S1018-RGB	RGB	82	5m	144	5m	108.0	5m

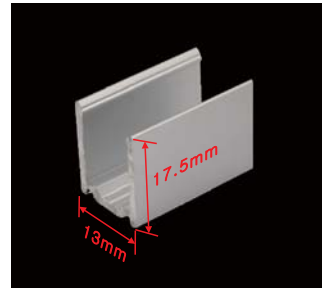
Accessory



Endcap connector with hole



Endcap without hole

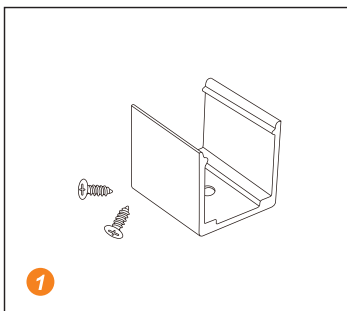


Mounting clip (length: 2cm)
Mounting channel (length: 1m, 2m, 3m)

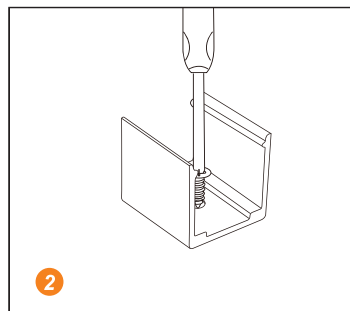


Scissors with angular scale

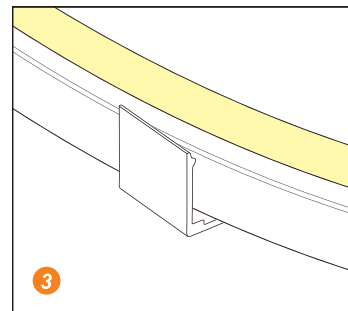
Installation



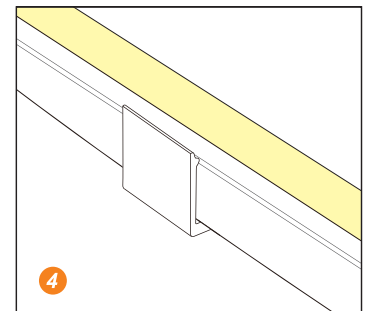
1 Prepare the screws and mounting clips



2 Adjust the fixed clips to the appropriate place, use a screwdriver to fix the screw.



3 Put the light emitting surface upwards, then insert the LED strip into the fixed clips.



4 Fix NEON strip completely into the fixed clip.