



LED NEON FLEX SPECIFICATION

IP67 NEON 0817 24V SIDE VIEW



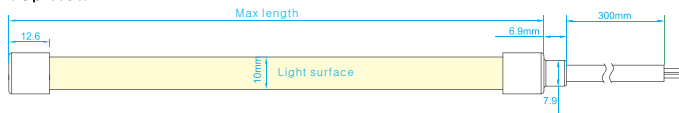
Note: LEDYI may change product specifications and installation guidance without prior notice.

- Regular power 5W/m and 10W/m for option
- Max length 25 meters with one end power
- Eight CCT optional from 2100K to 6000K

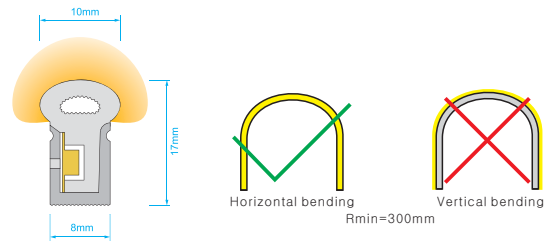
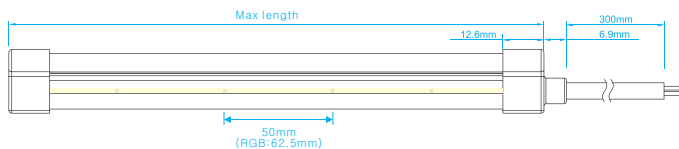


Dimensions & Waterproof

Top view



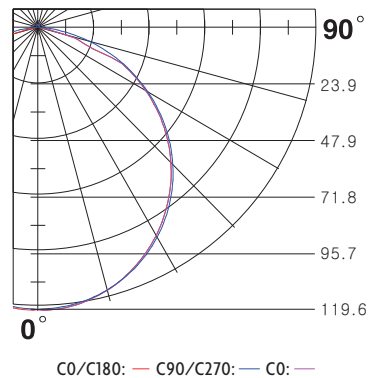
Side view



Product specification

Voltage	DC24 V
CRI/Ra	>90
Ambient temperature	-25°C~45°C
Color Type	Cutting length (mm)
Single color	50mm
Tunable white	50mm
RGB color	62.5mm

Polar curve (The data base on 10W 4000K)



White color parameters

Part Number	CCT (K)	Low power (5w/m)		High power (10w/m)	
		(lm/m)	(max length)	(lm/m)	(max length)
▶ NS-S0817-W21	2100K ⁺¹⁰⁰ / ₋₁₀₀	142	19m	271	13m
▶ NS-S0817-W24	2400K ⁺¹⁰⁰ / ₋₁₀₀	148	19m	285	13m
▶ NS-S0817-W27	2700K ⁺¹⁰⁰ / ₋₁₀₀	159	19m	310	13m
▶ NS-S0817-W30	3000K ⁺¹⁰⁰ / ₋₁₀₀	154	19m	311	13m
▶ NS-S0817-W35	3500K ⁺²⁰⁰ / ₋₁₀₀	160	19m	323	13m
▶ NS-S0817-W40	4000K ⁺³⁰⁰ / ₋₂₀₀	174	19m	340	13m
▶ NS-S0817-W50	5000K ⁺³⁰⁰ / ₋₂₀₀	175	19m	344	13m
▶ NS-S0817-W60	6000K ⁺³⁰⁰ / ₋₁₀₀	166	19m	319	13m

Tunable color parameters

Part Number	CCT (K)	Low power(5w/m)		High power(10w/m)	
		(lm/m)	(max length)	(lm/m)	(max length)
▶ NS-S0817-TW	2500-2900K	81	5m	169	5m
▶ NS-S0817-TW	5000-5800K	83	5m	173	5m
▶ NS-S0817-TW	3500-4200K	161	5m	332	5m

RGB color parameters

Part Number	Color (nm)	Low power(5w/m)		High power(10w/m)	
		(lm/m)	(max length)	(lm/m)	(max length)
▶ NS-S0817-R	Red(620-625nm)	67.7	25m	192.2	17m
▶ NS-S0817-G	Green(515-525nm)	195.0	19m	466.0	13m
▶ NS-S0817-B	Blue(460-465nm)	34.7	19m	92.7	13m
▶ NS-S0817-Y	Yellow(585-595nm)	14.6	25m	37.4	17m
▶ NS-S0817-P	Pink	74.3	19m	195.8	13m
▶ NS-S0817-RGB	RGB	77.4	5m	108.0	5m

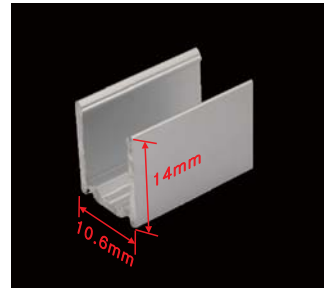
Accessory



Endcap connector with hole



Endcap without hole

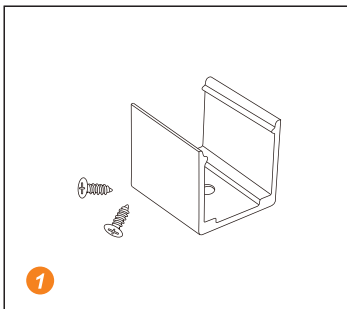


Mounting clip (length: 2cm)
Mounting channel (length: 1m, 2m, 3m)

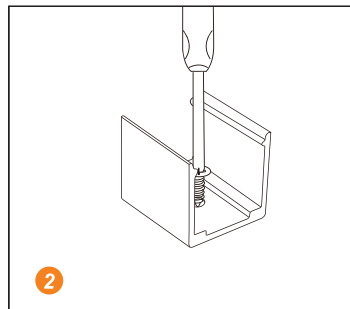


Scissors with angular scale

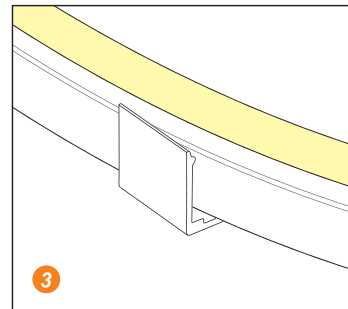
Installation



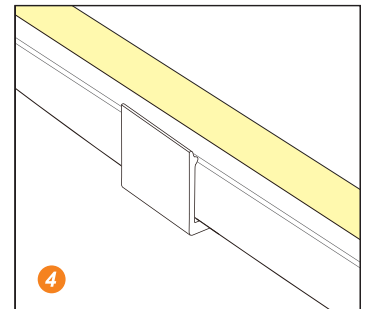
1 Prepare the screws and mounting clips



2 Adjust the fixed clips to the appropriate place, use a screwdriver to fix the screw.



3 Put the light emitting surface upwards, then insert the LED strip into the fixed clips.



4 Fix NEON strip completely into the fixed clip.