



# LED NEON FLEX SPECIFICATION

IP67 NEON 0612 24V SIDE VIEW



Note: LEDYI may change product specifications and installation guidance without prior notice.

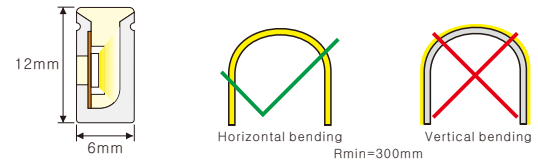
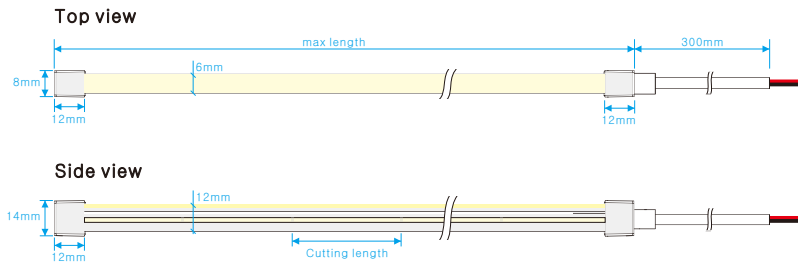
# IP67 NEON 0612 24V SIDE VIEW



- Regular power 5W/m and 10W/m for option
- Max length 20 meters with one end power
- Silicone end cap
- Eight CCT optional from 2100K to 6150K



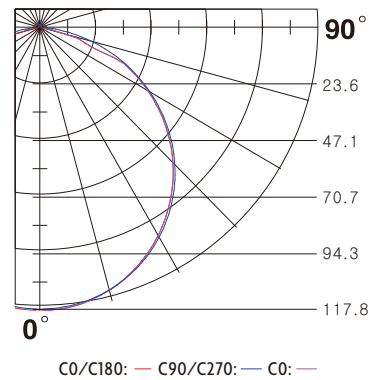
## Dimensions & Waterproof



## Product specification

Voltage	DC24 V
CRI/Ra	>90
Ambient temperature	-25°C~45°C
Color type	Cutting length (mm)
Single color	50mm
Tunable white	50mm
RGB color	50mm

## Polar curve (The data base on 10W 6000K)



## White color parameters

Part Number	CCT (K)	Low power(5w/m)		High power(10w/m)	
		(lm/m)	(max length)	(lm/m)	(max length)
▶ NS-S0612-W21	2000-2200K	145	15m	246	10m
▶ NS-S0612-W24	2300-2500K	173	15m	312	10m
▶ NS-S0612-W27	2600-2800K	178	15m	353	10m
▶ NS-S0612-W30	2900-3100K	154	15m	299	10m
▶ NS-S0612-W35	3400-3700K	169	15m	327	10m
▶ NS-S0612-W40	3800-4300K	186	15m	360	10m
▶ NS-S0612-W50	4800-5300K	187	15m	360	10m
▶ NS-S0612-W60	5900-6400K	190	15m	359	10m

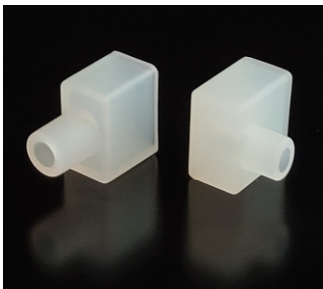
## Tunable color parameters

Part Number	CCT (K)	Low power(5w/m)		High power(10w/m)	
		(lm/m)	(max length)	(lm/m)	(max length)
▶ NS-S0612-TW	2000-2300K	58	5m	126	5m
▶ NS-S0612-TW	5000-5500K	88	5m	177	5m
▶ NS-S0612-TW	3400-3700K	158	5m	269	5m

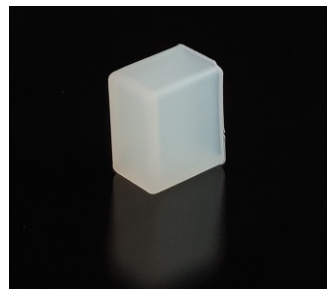
## RGB color parameters

Part Number	Color (nm)	Low power(5w/m)		High power(10w/m)	
		(lm/m)	(max length)	(lm/m)	(max length)
▶ NS-S0612-R	620-625nm	82.0	20m	160.0	13m
▶ NS-S0612-G	515-525nm	240.0	15m	398.0	10m
▶ NS-S0612-B	460-465nm	29.7	15m	51.6	10m
▶ NS-S0612-Y	585-595nm	61.4	20m	125.0	13m
▶ NS-S0612-P	-	78.0	15m	144.6	10m
▶ NS-S0612-RGB	15000-30000K	73.0	5m	126.6	5m

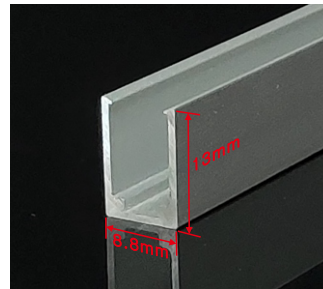
## Accessory



Endcap connector with hole



Endcap without hole

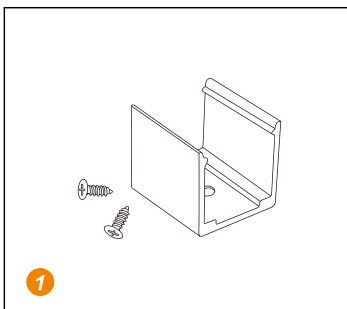


Mounting clip(length: 2cm)  
Mounting channel(length: 1m, 2m,3m)

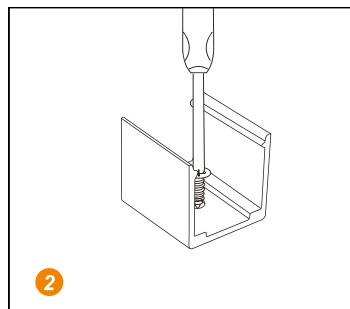


Scissors with angular scale

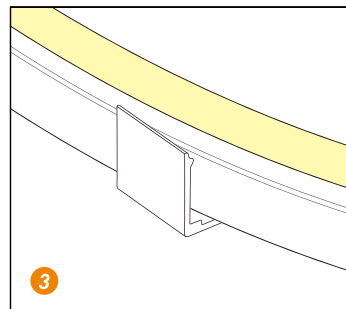
## Installation



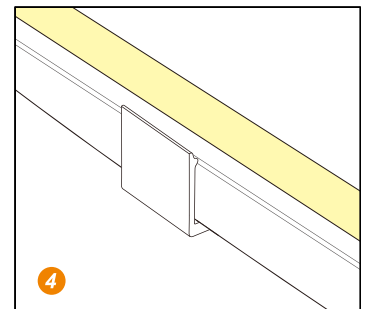
1 Prepare the screws and mounting clips



2 Adjust the fixed clips to the appropriate place, use a screwdriver to fix the screw.



3 Put the light emitting surface upwards, then insert the LED strip into the fixed clips.



4 Fix NEON strip completely into the fixed clip.