



LED NEON FLEX SPECIFICATION

IP67 NEON D16 24V 360° BEAM ANGLE

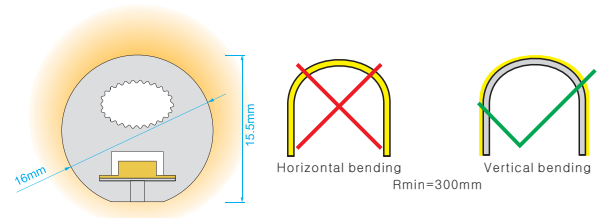
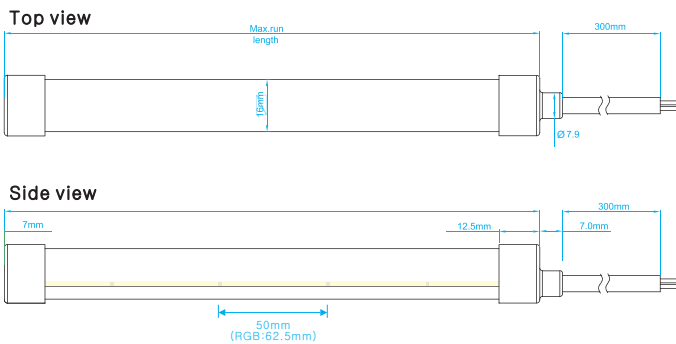


Note: LEDYI may change product specifications and installation guidance without prior notice.

- Regular power 5W/m and 10W/m for option
- Max length 25 meters with one end power
- Eight CCT optional from 2100K to 6000K



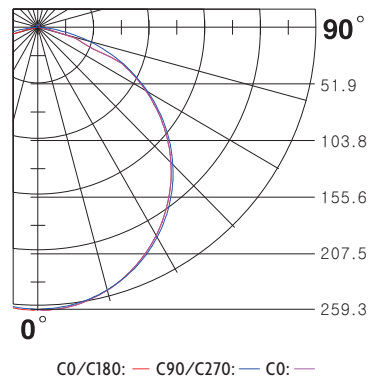
Dimensions & Waterproof



Product specification

Voltage	DC24 V
CRI/Ra	>90
Ambient temperature	-25°C~45°C
Color Type	Cutting length (mm)
Single color	50mm
Tunable white	50mm
RGB color	62.5mm

Polar curve (The data base on 10W 4000K)



White color parameters

Part Number	CCT (K)	Low power (5w/m)		High power (10w/m)	
		(lm/m)	(max length)	(lm/m)	(max length)
▶ NS-D16-W21	2100K ⁺¹⁰⁰ / ₋₁₀₀	284	19m	558	13m
▶ NS-D16-W24	2400K ⁺¹⁰⁰ / ₋₁₀₀	306	19m	591	13m
▶ NS-D16-W27	2700K ⁺¹⁰⁰ / ₋₁₀₀	340	19m	663	13m
▶ NS-D16-W30	3000K ⁺¹⁰⁰ / ₋₁₀₀	338	19m	653	13m
▶ NS-D16-W35	3500K ⁺²⁰⁰ / ₋₁₀₀	324	19m	626	13m
▶ NS-D16-W40	4000K ⁺³⁰⁰ / ₋₂₀₀	365	19m	707	13m
▶ NS-D16-W50	5000K ⁺³⁰⁰ / ₋₂₀₀	374	19m	734	13m
▶ NS-D16-W60	6000K ⁺³⁰⁰ / ₋₁₀₀	378	19m	735	13m

Tunable color parameters

Part Number	CCT (K)	Low power(5w/m)		High power(10w/m)	
		(lm/m)	(max length)	(lm/m)	(max length)
▶ NS-D16-TW	2600–2900K	172	5m	366	5m
▶ NS-D16-TW	5800–6300K	179	5m	377	5m
▶ NS-D16-TW	3800–4200K	352	5m	726	5m

RGB color parameters

Part Number	Color (nm)	Low power(5w/m)		High power(10w/m)	
		(lm/m)	(max length)	(lm/m)	(max length)
▶ NS-D16-R	Red(620–625nm)	139	25m	305	17m
▶ NS-D16-G	Green(515–525nm)	408	19m	778	13m
▶ NS-D16-B	Blue(460–465nm)	85	19m	155	13m
▶ NS-D16-Y	Yellow(585–595nm)	112	25m	235	17m
▶ NS-D16-P	Pink	156	19m	328	13m
▶ NS-D16-RGB	RGB	199	5m	344	5m

Accessory

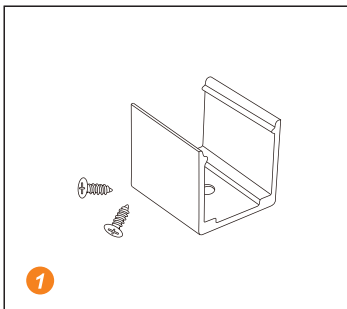


Mounting clip (length: 2cm/1m)

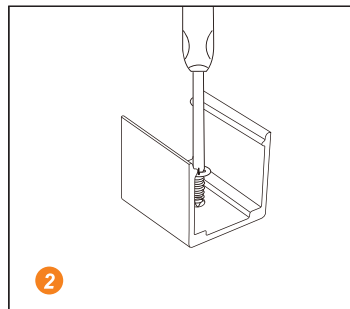


Scissors with angular scale

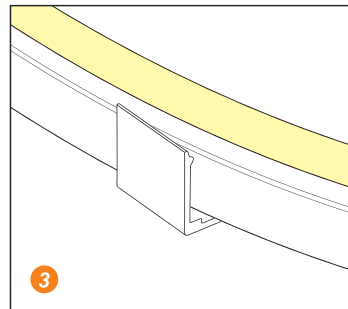
Installation



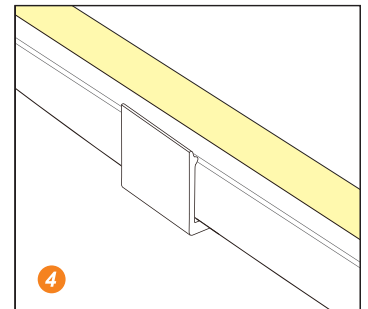
1 Prepare the screws and mounting clips



2 Adjust the fixed clips to the appropriate place, use a screwdriver to fix the screw.



3 Put the light emitting surface upwards, then insert the LED strip into the fixed clips.



4 Fix NEON strip completely into the fixed clip.