



# LED NEON FLEX SPECIFICATION

IP67 3D SILICONE NEON 1615 24V

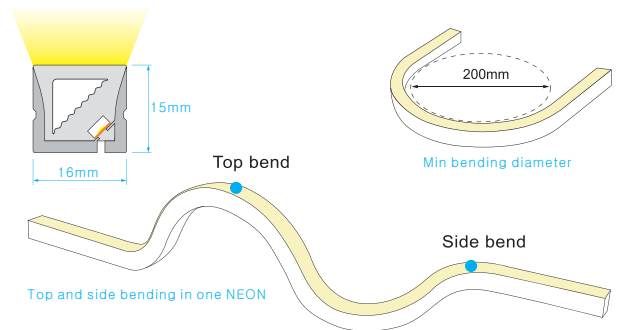
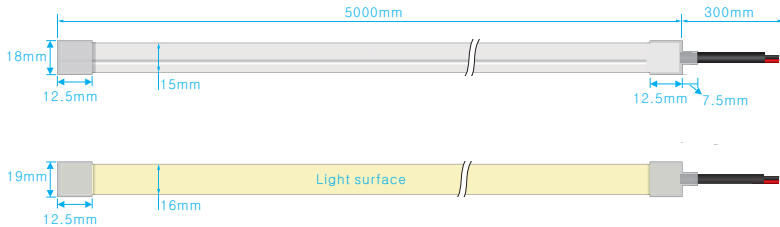


Note: LEDYI may change product specifications and installation guidance without prior notice.

- Regular power 5W/m and 10W/m for option
- Max length 5 meters with one end power
- Eight CCT optional from 2100K to 6150K
- Top bending and side bending in one NEON



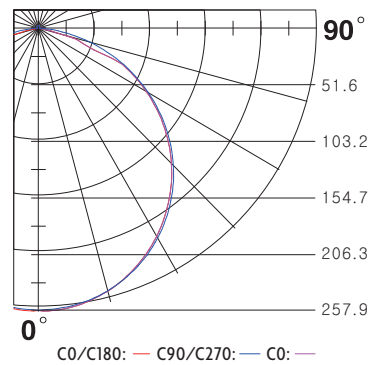
## Dimensions & Waterproof



## Product specification

Voltage	DC24 V
CRI/Ra	>90
Ambient temperature	-25°C~45°C
Color Type	Cutting length(mm)
Single color	50mm

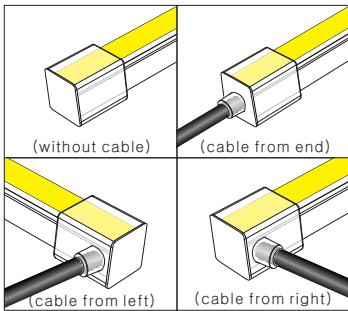
## Polar curve (The data base on 10W 6000K)



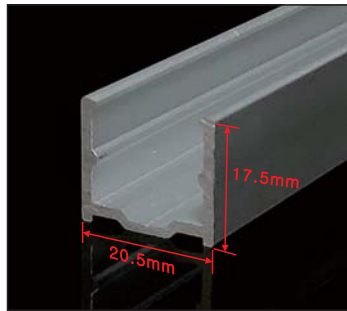
## White color parameters

Part Number	CCT (K)	Low power(5w/m)		High power(10w/m)	
		(lm/m)	(max length)	(lm/m)	(max length)
▶ NS-3D1615-W21	2000-2200K	316	5m	626	5m
▶ NS-3D1615-W24	2300-2500K	330	5m	627	5m
▶ NS-3D1615-W27	2600-2800K	357	5m	675	5m
▶ NS-3D1615-W30	2900-3100K	372	5m	701	5m
▶ NS-3D1615-W35	3400-3700K	384	5m	726	5m
▶ NS-3D1615-W40	3800-4300K	385	5m	728	5m
▶ NS-3D1615-W50	4800-5300K	391	5m	745	5m
▶ NS-3D1615-W60	5900-6400K	387	5m	733	5m
▶ NS-3D1615-R	Red(620-625nm)	151	5m	307	5m
▶ NS-3D1615-G	Green(515-525nm)	320	5m	533	5m
▶ NS-3D1615-B	Blue(460-465nm)	77	5m	144	5m
▶ NS-3D1615-Y	Yellow(585-595nm)	128	5m	260	5m
▶ NS-3D1615-P	Pink	255	5m	481	5m

## Accessory



Cable outlet

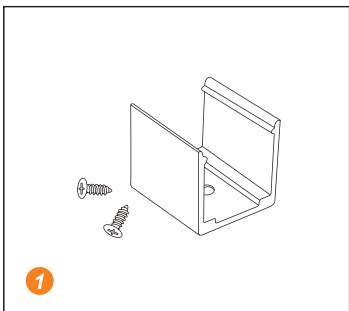


Mounting clip(length: 2cm)  
Mounting channel(length: 1m, 2m,3m)

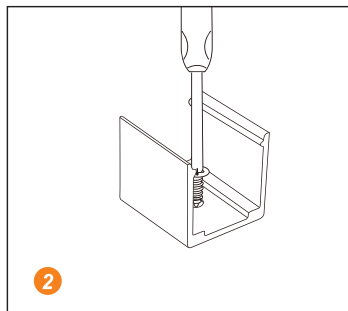


Scissors with angular scale

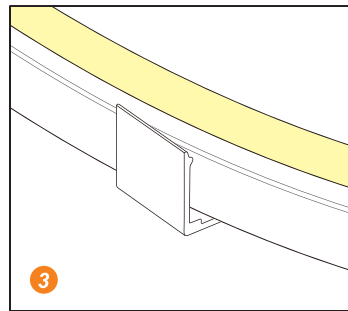
## Installation



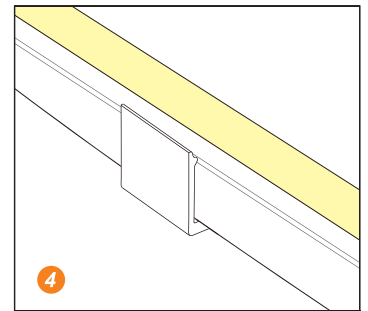
1 Prepare the screws and mounting clips



2 Adjust the fixed clips to the appropriate place, use a screwdriver to fix the screw.



3 Put the light emitting surface upwards, then insert the LED strip into the fixed clips.



4 Fix NEON strip completely into the fixed clip.