



# LED NEON FLEX SPECIFICATION

IP68 PU NEON 1220 24V SIDE VIEW



Note: LEDYI may change product specifications and installation guidance without prior notice.

IP68 polyurethane protected against water, salt water and UV radiation

Regular power 5W/m, 10W/m and 15W/m for option

Max serial connection length 21 meters with one end power

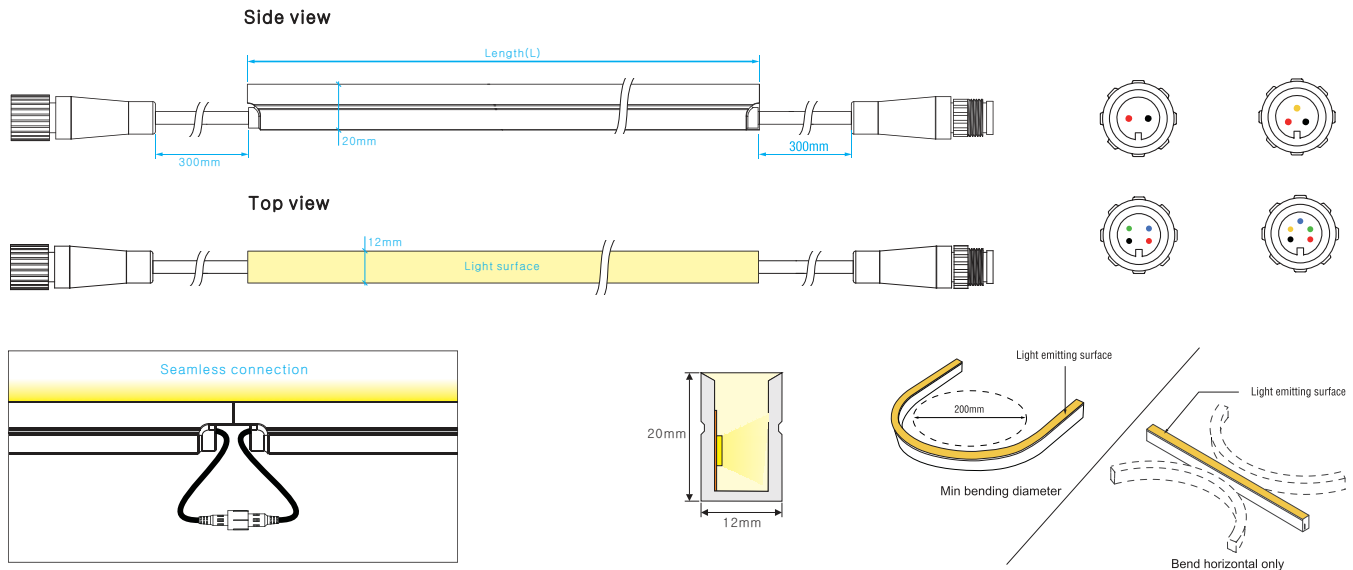
Seven CCT optional from 2700K to 6500K, CRI>80

2700K 3000K 3200K 3500K 4000K 5000K 6500K

R P G B A RGB RGBW



## Dimensions & Waterproof



## Product specification

Voltage	DC24 V
CRI/Ra	>80
Ambient temperature	-25°C~60°C

### Note:

Customized length (not cuttable):  
 Single color:  $L_{min}=152.1\pm 11mm$ ;  $L_{max}=5027\pm 19mm$ ; in 41.7mm increments  
 Tunable color:  $L_{min}=177\pm 11mm$ ;  $L_{max}=5027\pm 19mm$ ; in 50mm increments  
 RGB/RGBW:  $L_{min}=241.29\pm 11mm$ ;  $L_{max}=5027\pm 19mm$ ; in 71.43mm increments

## White color parameters

Part Number	CCT (K)	Low power(5w/m)		Medium power(10w/m)		High power(15w/m)	
		(lm/m)	(max serial run)	(lm/m)	(max serial run)	(lm/m)	(max serial run)
▶ NP-S1220-W27	2700K±10%	314	21m	610	13m	906	10m
▶ NP-S1220-W30	3000K±10%	324	21m	630	13m	936	10m
▶ NP-S1220-W32	3200K±10%	324	21m	630	13m	936	10m
▶ NP-S1220-W35	3500K±10%	324	21m	630	13m	936	10m
▶ NP-S1220-W40	4000K±10%	330	21m	640	13m	950	10m
▶ NP-S1220-W50	5000K±10%	330	21m	640	13m	950	10m
▶ NP-S1220-W65	6500K±10%	330	21m	640	13m	950	10m

## Tunable color parameters

Part Number	CCT (K)	Low power(5w/m)		Medium power(10w/m)		High power(15w/m)	
		(lm/m)	(max serial run)	(lm/m)	(max serial run)	(lm/m)	(max serial run)
▶ NP-S1220-TW	2700K±10%	173	8m	334	5m	486	3m
▶ NP-S1220-TW	6500K±10%	169	8m	338	5m	492	3m
▶ NP-S1220-TW	(2700K+6500K)±10%	337	8m	654	5m	952	3m

## RGB & RGBW color parameters

Part Number	Color (nm)	Low power(5w/m)		Medium power(10w/m)		High power(15w/m)	
		(lm/m)	(max serial run)	(lm/m)	(max serial run)	(lm/m)	(max serial run)
▶ NP-S1220-R	Red(620-625nm)	94	21m	182	13m	265	10m
▶ NP-S1220-G	Green(515-525nm)	181	21m	352	13m	476	10m
▶ NP-S1220-B	Blue(460-465nm)	43	21m	84	13m	114	10m
▶ NP-S1220-A	Yellow(585-595nm)	94	21m	183	13m	267	10m
▶ NP-S1220-P	Pink	131	21m	254	13m	370	10m
▶ NP-S1220-RGB	RGB	121	8m	235	5m	342	3m
▶ NP-S1220-RGBW	RGBW	264	8m	512	5m	746	3m

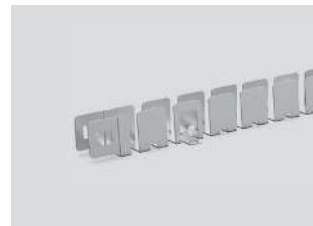
## Accessory & Installation



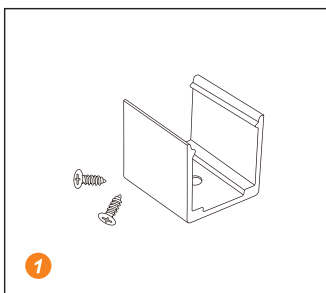
Stainless mounting clip  
15x13.8x12.8mm  
(L x W x H)



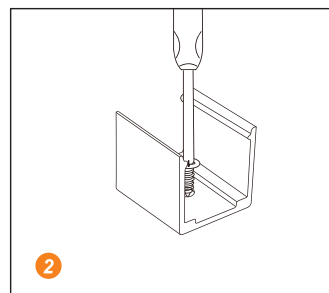
Aluminum channel  
1000x14.4x21.4mm  
(L x W x H)



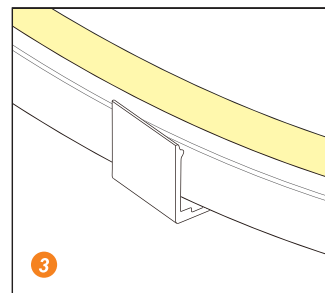
Bending stainless mounting clip  
500x26.4x18mm  
(L x W x H)



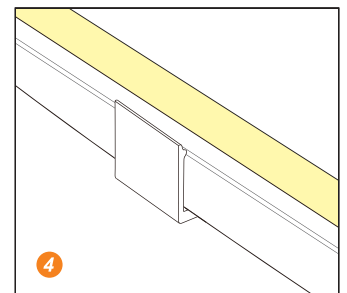
1 Prepare the screws and mounting clips



2 Adjust the fixed clips to the appropriate place, use a screwdriver to fix the screw.



3 Put the light emitting surface upwards, then insert the LED strip into the fixed clips.



4 Fix NEON strip completely into the fixed clip.

## Application



Pool lighting



Boat and Marine lighting



Outdoor lighting