



LED NEON FLEX SPECIFICATION

IP67 BLACK NEON 1220 24V SIDE VIEW

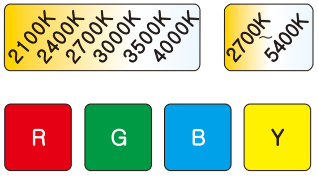


Note: LEDYI may change product specifications and installation guidance without prior notice.

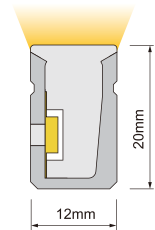
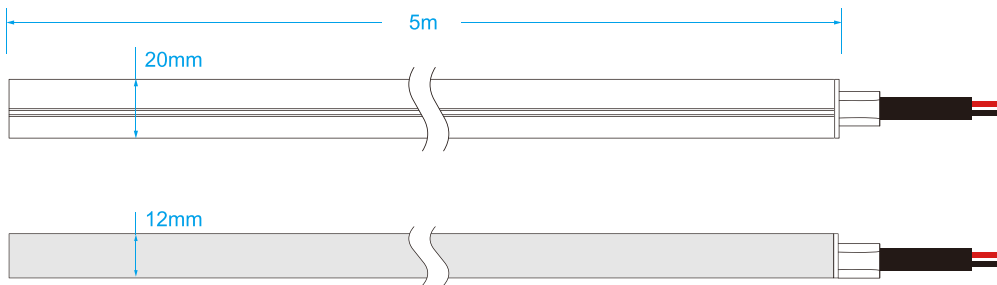
IP67 BLACK NEON 1220 24V SIDE VIEW



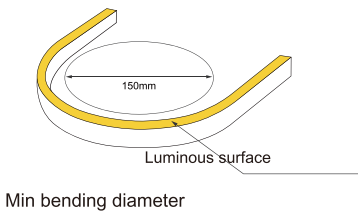
- Regular power 5W/m, 10W/m and 15W/m for option
- Max length 5 meters with one end power
- Unique black silicone body
- Six CCT optional from 2100K to 4000K



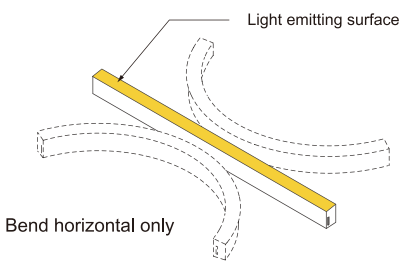
Dimensions & Waterproof



Across section size's picture



Min bending diameter



Bend horizontal only

Electrical Parameter

Voltage	DC24V
LED PIN Temperature	Max. 65°C
Storage Temperature	-25°C ~ 60°C
Ambient Temperature	Min. -25°C Max (Table below)
CRI	>90

Specification

	5 w/m	10 w/m	15 w/m
Efficacy@4000K	2lm/w	1.87lm/w	1.8lm/w
Max Ambient Temperature	50°C	45°C	35°C

Due to the tolerance of the production and electrical components, output value and electrical power can vary up to 10%

Single color parameters

Part Number	CCT (K)	Unit cut (mm)	CV/CC	Low power(5w/m)		Medium power(10w/m)		High power(15w/m)	
				(lm/m)	(max length)	(lm/m)	(max length)	(lm/m)	(max length)
▶ NS-S1220B-W21	2000-2200K	50	CV	9.1	5m	17.6	5m	23.8	5m
▶ NS-S1220B-W24	2300-2500K	50	CV	9.2	5m	17.7	5m	24.1	5m
▶ NS-S1220B-W27	2600-2800K	50	CV	8.6	5m	17.2	5m	23	5m
▶ NS-S1220B-W30	2900-3100K	50	CV	9.1	5m	17.8	5m	24.2	5m
▶ NS-S1220B-W35	3400-3700K	50	CV	9.2	5m	17.4	5m	24.9	5m
▶ NS-S1220B-W40	3800-4300K	50	CV	10.1	5m	19.5	5m	26.6	5m

▶ NS-S1220B-R	Red(620-625nm)	50	CV	4.5	5m	9.6	5m	12	5m
▶ NS-S1220B-G	Green(515-525nm)	50	CV	7.5	5m	13.8	5m	16.5	5m
▶ NS-S1220B-B	Blue(460-465nm)	50	CV	1.3	5m	2.5	5m	3.5	5m
▶ NS-S1220B-Y	Yellow(585-595nm)	50	CV	3.2	5m	6.4	5m	9	5m

Note: CC stands for constant current, CV stands for constant voltage, max length of CV is 5m.

Tunable color parameters

Part Number	CCT (K)	Unit cut (mm)	CV/CC	Low power(5w/m)		Medium power(10w/m)		High power(15w/m)	
				(lm/m)	(max length)	(lm/m)	(max length)	(lm/m)	(max length)
▶ NS-S1220B-TW	WW:2600-2800K	50	CV	4.6	5m	9.7	5m	12.9	5m
▶ NS-S1220B-TW	CW:5100-5700K	50	CV	4.6	5m	9.5	5m	12.9	5m
▶ NS-S1220B-TW	WW+CW:3800-4300K	50	CV	9.3	5m	19.2	5m	25.5	5m

RGB color parameters

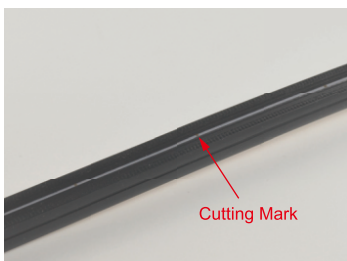
Part Number	Color (nm)	Unit cut (mm)	CV/CC	Low power(5w/m)		Medium power(10w/m)		High power(15w/m)	
				(lm/m)	(max length)	(lm/m)	(max length)	(lm/m)	(max length)
▶ NS-S1220B-RGB	R	62.5	CV	1.3	5m	2.3	5m	3.2	5m
▶ NS-S1220B-RGB	G	62.5	CV	2.7	5m	4.4	5m	5.7	5m
▶ NS-S1220B-RGB	B	62.5	CV	0.4	5m	0.7	5m	0.9	5m
▶ NS-S1220B-RGB	RGB	62.5	CV	4.4	5m	7.4	5m	9.5	5m

Cautions

The unused product and unused product after unpacking should be sealed with the packaging bag to avoid prolonged exposure.

Tests showed that nail and benzene substances will have yellowing effects on silicone gel; in the new indoor decoration environment, epoxy floor paint, wall paint, wallpaper adhesive, various decoration materials or new furniture, possibly release of nail and benzene substances, it is recommended to remove formaldehyde and benzene or ventilate for a period of time in the new indoor decoration environment, and then install the neon strip to avoid yellowing of the silicone gel.

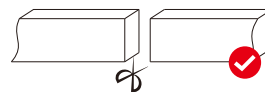
Cutting Mark



Remark:
The bottom of the led strip has transparent window, the black marker is the cutting position



Use professional scissors to cut vertically at the cutting mark



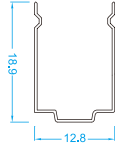
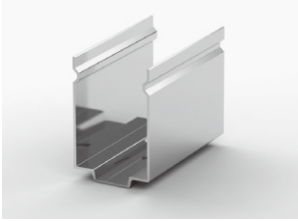
Vertical cutting precisely in the exact cutting position of led strip.



Please don't be feel free to cut and cut into an oblique angle or cambered section.

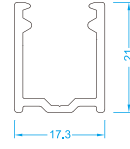
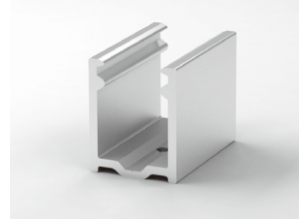
Mounting Way

Stainless Steel Mounting clips



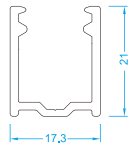
Dimension: 20x12.8x18.9mm

Aluminium Mounting clips



Dimension: 20 x 17.3 x 21mm

Aluminium Profile

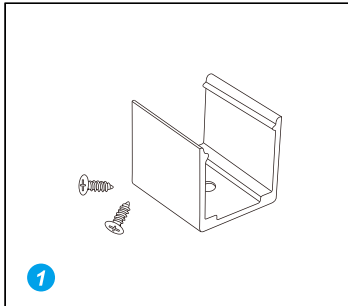


Dimension: 1000 x 17.3 x 21mm

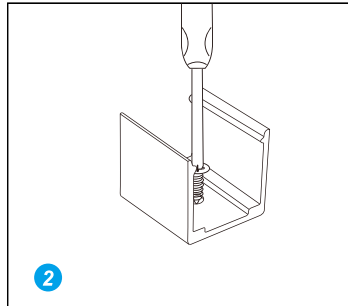
Suspension Installation



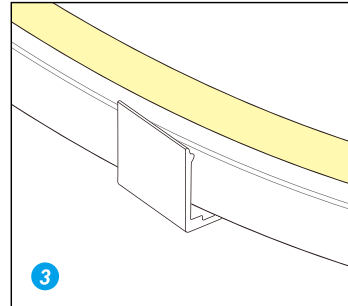
Installation



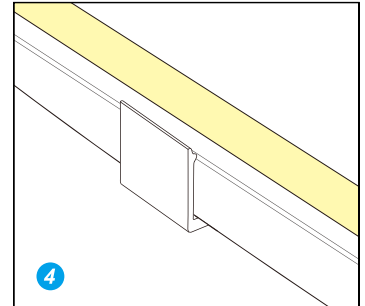
1 Prepare the screws and mounting clips



2 Adjust the fixed clips to the appropriate place, use a screwdriver to fix the screw.



3 Put the light emitting surface upwards, then insert the LED strip into the fixed clips.



4 Fix NEON strip completely into the fixed clip.